

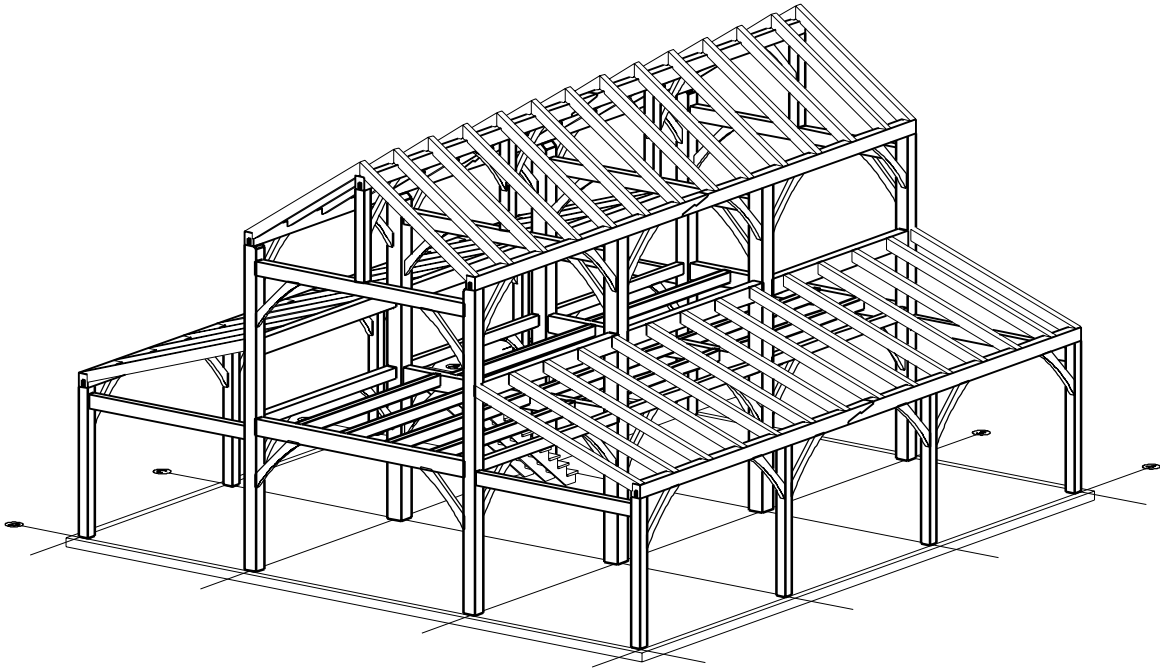
MONITOR BARN: DESIGN ONLY NOTES

Reviewed for
Code Compliance

08/11/2023

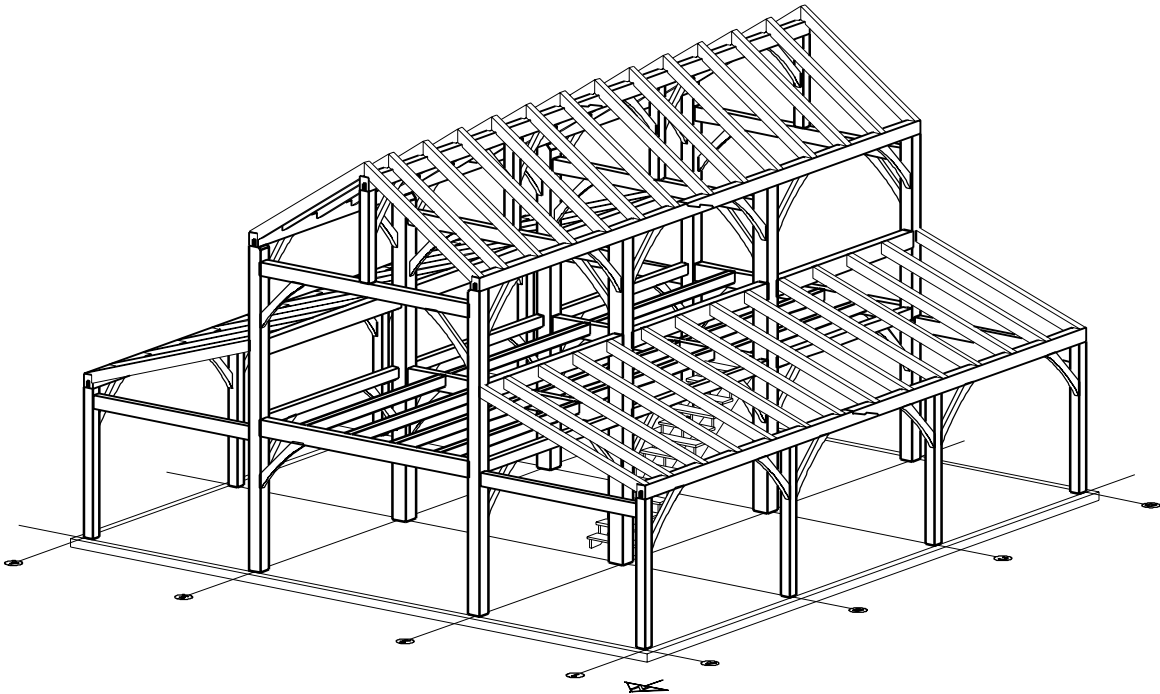
TIMBER FRAME HQ GENERAL NOTES:

1. THE CONTRACTOR AND EACH SUBCONTRACTOR SHALL BE REQUIRED TO CHECK AND VERIFY THAT THE PLANS CONFORM WITH ALL REQUIREMENTS, LOCAL BUILDING CODES, AND MANUFACTURER'S RECOMMENDATIONS PRIOR TO SIGNING CONTRACT OR BEGINNING WORK.
2. THE DRAWINGS ARE DIAGRAMMATIC, INTENDED TO OUTLINE GENERAL REQUIREMENTS ONLY, AND NOT INTENDED TO BE COMPLETE IN ALL DETAILS. SPECIFIC IMPLEMENTATION OF THE PLANS SHALL BE THE RESPONSIBILITY OF THE CONTRACTOR WHO REPRESENTS HE/SHE HAS THE SKILL AND EXPERT KNOWLEDGE TO EXECUTE THE WORK REQUIRED.
3. THE CONTRACTOR AND EACH SUBCONTRACTOR SHALL VERIFY DIMENSIONS AND DETAILS SHOWN ON THE DRAWINGS BEFORE LAYING OUT OR PROCEEDING WITH THE WORK AND SHALL BE RESPONSIBLE FOR ANY ERROR RESULTING FROM HIS/HER FAILURE TO EXERCISE SUCH VERIFICATION.
4. TIMBER FRAME HQ ASSUMES NO RESPONSIBILITY FOR ANY CHANGES OR MODIFICATIONS THAT MAY BE MADE TO THE PLANS BY THE OWNER OR THE OWNER'S CONTRACTOR OR SUBCONTRACTOR.
5. THESE ARE "DESIGN ONLY" PLANS AND ARE NOT ENGINEERED PLANS. IT IS THE SOLE AND EXCLUSIVE RESPONSIBILITY OF THE OWNER AND THE OWNER'S CONTRACTOR OR SUBCONTRACTORS TO DETERMINE IF ENGINEERED PLANS ARE NECESSARY PURSUANT TO LOCAL OR STATE CODE REQUIREMENTS AND WHETHER STATE OR LOCAL BUILDING CODES REQUIRE MODIFICATIONS OF MATERIALS OR STRUCTURAL SPECIFICATIONS ON THESE PLANS. TIMBER FRAME HQ ASSUMES NO RESPONSIBILITY AND DOES NOT WARRANT THAT THESE PLANS SATISFY THE REQUIREMENTS OF STATE AND/OR LOCAL BUILDING CODES.
6. CUSTOMER POSSESSES RIGHTS TO CONSTRUCT THE DRAWINGS ONE TIME ONLY. TFHQ DOES NOT RELINQUISH OWNERSHIP OF THESE PLANS. TFHQ DOES NOT PERMIT MORE THAN ONE BUILD OF THESE PLANS WITHOUT WRITTEN PERMISSION.



Axonometric

Scale: NTS



-Axonometric

Scale: NTS

40x42 Monitor Barn

40343 County Road 68
Stemboat Springs,, Colorado 80487

Date:	11-23-2022	REVISIONS	
Issue:			
AOR:			
Client:	Bill Uhl		
Designer:	Chris Miller		
Checked By:	Chris Miller		

Copyright 2021. Timber Frame HQ. Reproduction and/or use without written permission is prohibited. These are Design Only plans. unless sealed by a State Licensed Professional Engineer. TFHQ assumes no responsibility and does not warrant these plans.

TIMBERFRAME
HEADQUARTERS
PO Box 133
Mountain Rest, SC 29664
888.552.9379
design@timberframehq.com

TF:1 OF 14

3D file name: 40x42 Monitor w Walls
File name: Uhl Barn.2d

DRAWING LEGEND

TIMBER DESCRIPTION:
NAME/ X-SECTION / PRODUCTION NUMBER

IN ELEVATIONS AND SECTION VIEWS

▣ INDICATES HOUSING IN VIEW

▣ INDICATES A MORTISE

□ INDICATES A THROUGH MORTISE

— INDICATES A REFERENCE PLANE

⊙ INDICATES A CENTERLINE REFERENCE

▣ INDICATES ENDGRAIN OF TIMBER

▣ INDICATES A TRANSVERSE SECTION CUT

▣ INDICATES A LONGITUDINAL SECTION CUT

IN PLAN VIEWS

⊠ POST: CONTINUOUS TO LOAD BEARING FLOOR

▣ POST DOWN: HIDDEN POST IN VIEW (LOAD PATH)

⊠ POST AT FLOOR VIEW

⊗ POST ABOVE

TERMINOLOGY

FTO BRACE ALIGNED FLUSH TO OUTSIDE/ BAREFACE TENON

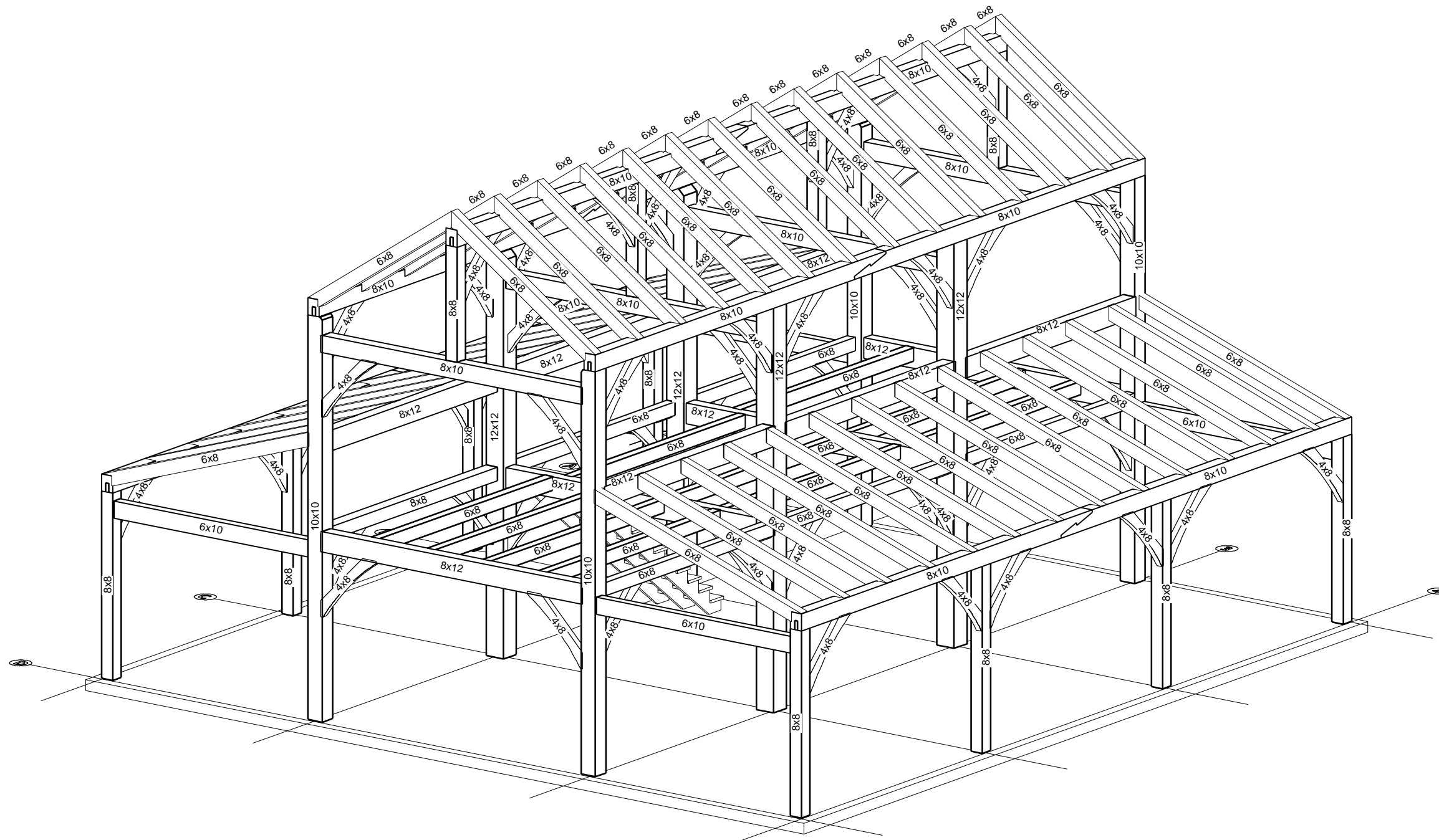
M&T MORTISE AND TENON JOINT

2/5/5 TENON THICKNESS/ TENON LENGTH/ HOUSING DEPTH

-(2)1" WITH (2) 1" DIA OAK PEGS

(2)TBS8/4 (2) ROTHOBLOSS TBS8 FASTENERS/ MIN. EMBEDMENT

Reviewed for
Code Compliance
08/11/2023



Axonometric (X-Section & Prod#)

Scale: NTS

40x42 Monitor Barn

40343 County Road 68
Stemboat Springs,, Colorado 80487

Date:	11-23-2022	REVISIONS	
Issue:			
AOR:			
Client:	Bill Uhl		
Designer:	Chris Miller		
Checked By:	Chris Miller		

Copyright 2021. Timber Frame HQ. Reproduction and/or use without written permission is prohibited. These are Design Only plans. unless sealed by a State Licensed Professional Engineer. TFHQ assumes no responsibility and does not warrant these plans.

TIMBERFRAME
HEADQUARTERS
PO Box 133
Mountain Rest, SC 29664
888.552.9379
design@timberframehq.com

TF:2 OF 14

3D file name: 40x42 Monitor w Walls
File name: Uhl Barn.2d

Reviewed for Code Compliance
08/11/2023

DRAWING LEGEND

TIMBER DESCRIPTION:
NAME/ X-SECTION / PROD. / LENGTH / NUMBER

IN ELEVATIONS AND SECTION VIEWS

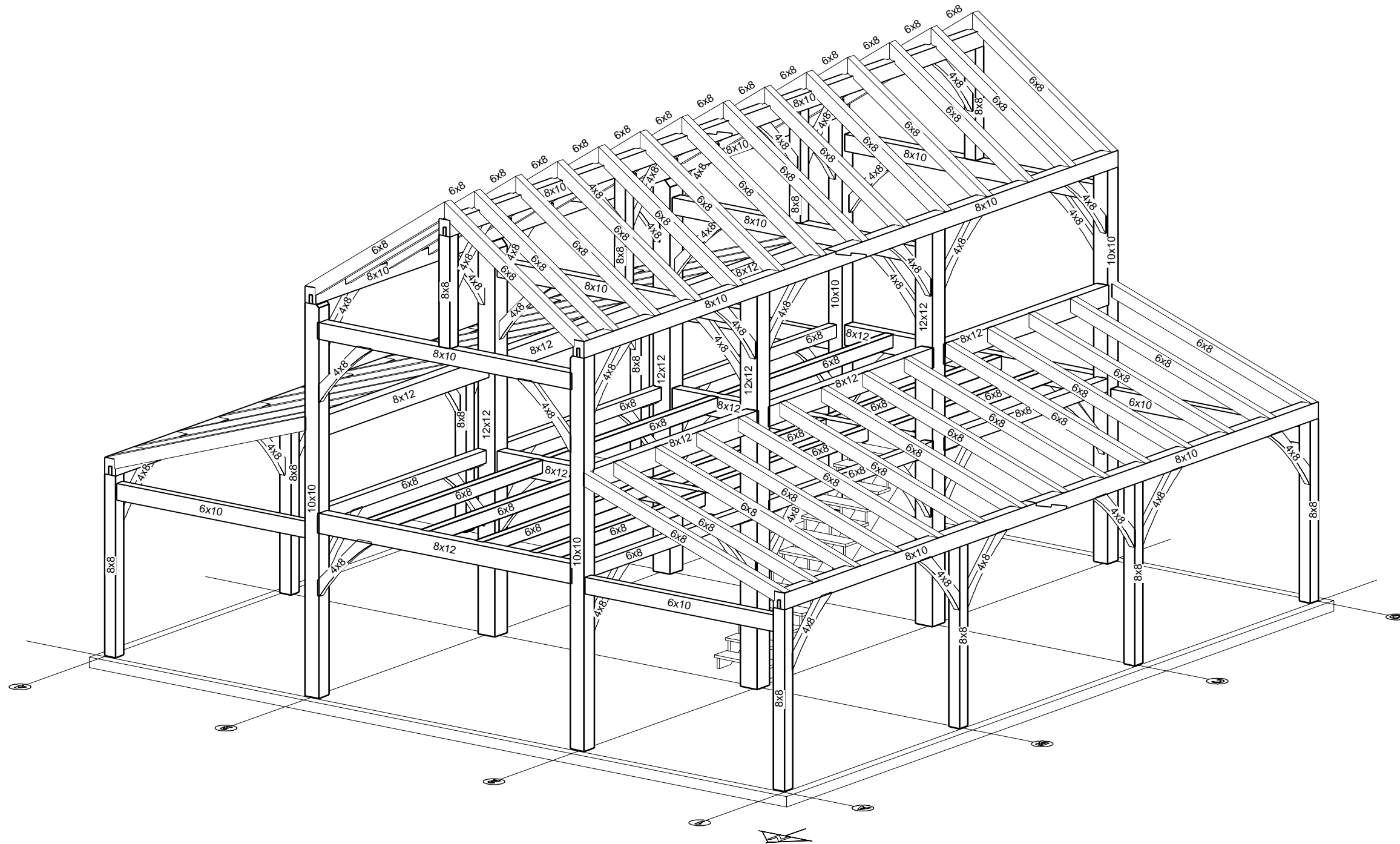
- INDICATES HOUSING IN VIEW
- INDICATES A MORTISE
- INDICATES A THROUGH MORTISE
- INDICATES A REFERENCE PLANE
- INDICATES A CENTERLINE REFERENCE
- INDICATES ENDGRAIN OF TIMBER
- INDICATES A TRANSVERSE SECTION CUT
- INDICATES A LONGITUDINAL SECTION CUT

IN PLAN VIEWS

- POST: CONTINUOUS TO LOAD BEARING FLOOR
- POST DOWN: HIDDEN POST IN VIEW (LOAD PATH)
- POST AT FLOOR VIEW
- POST ABOVE

TERMINOLOGY

FTO	BRACE ALIGNED FLUSH TO OUTSIDE/ BAREFACE TENON
M&T	MORTISE AND TENON JOINT
2/5/5	TENON THICKNESS/ TENON LENGTH/ HOUSING DEPTH
-(2)1"	WITH (2) 1" DIA OAK PEGS
(2)TBS8/4	(2) ROTHOBLOSS TBS8 FASTENERS/ MIN. EMBEDMENT



-Axonometric (X-Section & Prod#)

Scale: NTS

40x42 Monitor Barn

40343 County Road 68
Stemboat Springs,, Colorado 80487

Date:	11-23-2022	REVISIONS
Issue:		
AOR:		
Client:	Bill Uhl	
Designer:	Chris Miller	
Checked By:	Chris Miller	

Copyright 2021. Timber Frame HQ. Reproduction and/or use without written permission is prohibited. These are Design Only plans. unless sealed by a State Licensed Professional Engineer. TFHQ assumes no responsibility and does not warrant these plans.



PO Box 133
Mountain Rest, SC 29664
888.552.9379
design@timberframehq.com

TF:3 OF 14

3D file name: 40x42 Monitor w Walls
File name: Uhl Barn.2d

Reviewed for Code Compliance
08/11/2023

DRAWING LEGEND

TIMBER DESCRIPTION:
NAME/ X-SECTION / PRO. DIMEN / UMB.

IN ELEVATIONS AND SECTION VIEWS

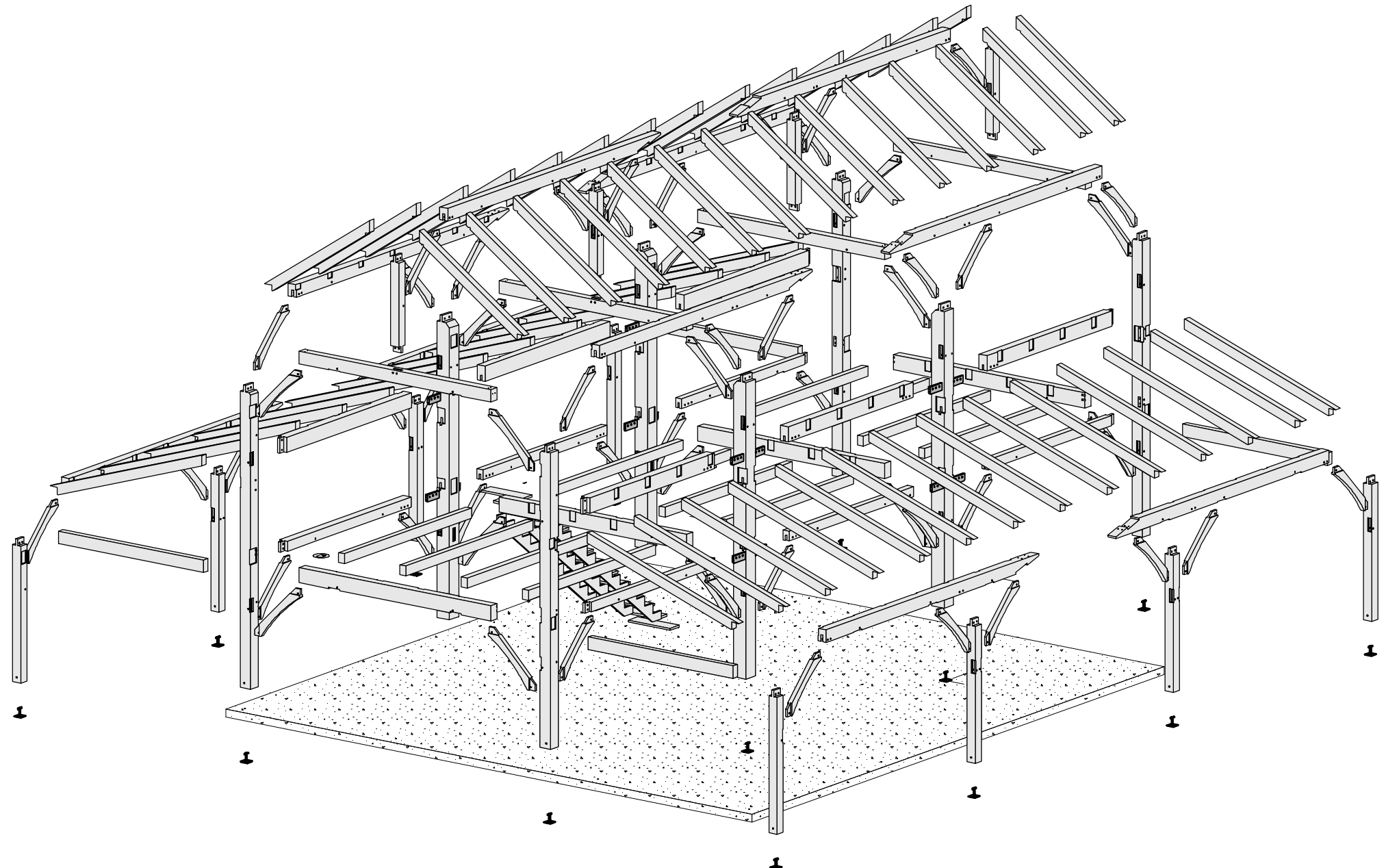
- INDICATES HOUSING IN VIEW
- INDICATES A MORTISE
- INDICATES A THROUGH MORTISE
- INDICATES A REFERENCE PLANE
- INDICATES A CENTERLINE REFERENCE
- INDICATES ENDGRAIN OF TIMBER
- INDICATES A TRANSVERSE SECTION CUT
- INDICATES A LONGITUDINAL SECTION CUT

IN PLAN VIEWS

- POST: CONTINUOUS TO LOAD BEARING FLOOR
- POST DOWN: HIDDEN POST IN VIEW (LOAD PATH)
- POST AT FLOOR VIEW
- POST ABOVE

TERMINOLOGY

FTO	BRACE ALIGNED FLUSH TO OUTSIDE/ BAREFACE TENON
M&T	MORTISE AND TENON JOINT
2/5/5	TENON THICKNESS/ TENON LENGTH/ HOUSING DEPTH
-(2)1"	WITH (2) 1" DIA OAK PEGS
(2)TBS8/4	(2) ROTHOBLOSS TBS8 FASTENERS/ MIN. EMBEDMENT



Axonometric (Exploded)

Scale: NTS

40x42 Monitor Barn

40343 County Road 68
Stemboat Springs,, Colorado 80487

Date:	11-23-2022	REVISIONS
Issue:		
AOR:		
Client:	Bill Uhl	
Designer:	Chris Miller	
Checked By:	Chris Miller	

Copyright 2021. Timber Frame HQ. Reproduction and/or use without written permission is prohibited. These are Design Only plans. unless sealed by a State Licensed Professional Engineer. TFHQ assumes no responsibility and does not warrant these plans.



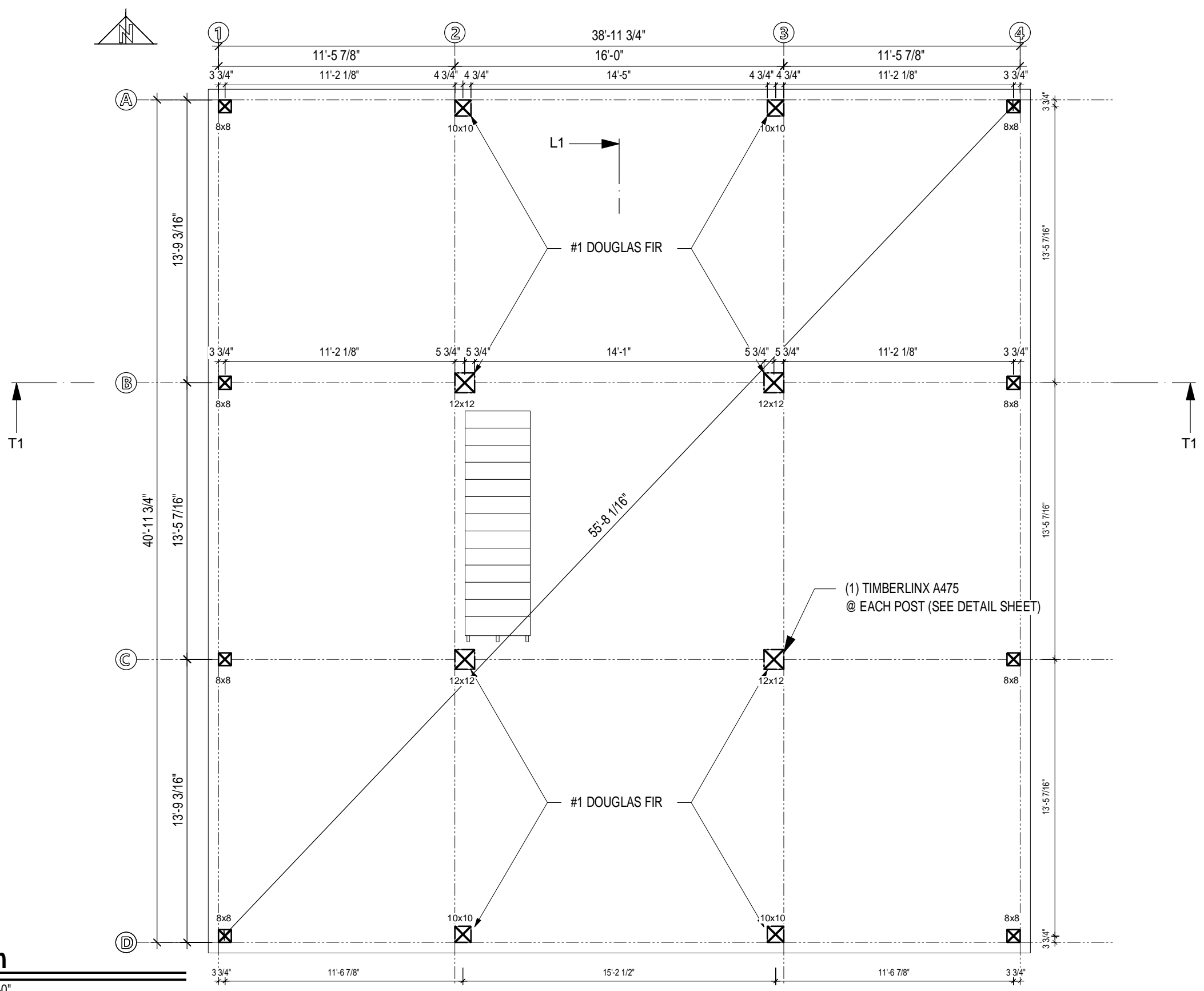
PO Box 133
Mountain Rest, SC 29664
888.552.9379
design@timberframehq.com

TF:4 OF 14

3D file name: 40x42 Monitor w Walls
File name: Uhl Barn.2d

Reviewed for Code Compliance
08/11/2023

DRAWING LEGEND	
TIMBER DESCRIPTION: NAME/ X-SECTION / PRODUCT NUMBER	
IN ELEVATIONS AND SECTION VIEWS	
	INDICATES HOUSING IN VIEW
	INDICATES A MORTISE
	INDICATES A THROUGH MORTISE
	INDICATES A REFERENCE PLANE
	INDICATES A CENTERLINE REFERENCE
	INDICATES ENDGRAIN OF TIMBER
	INDICATES A TRANSVERSE SECTION CUT
	INDICATES A LONGITUDINAL SECTION CUT
IN PLAN VIEWS	
	POST: CONTINUOUS TO LOAD BEARING FLOOR
	POST DOWN: HIDDEN POST IN VIEW (LOAD PATH)
	POST AT FLOOR VIEW
	POST ABOVE
TERMINOLOGY	
FTO	BRACE ALIGNED FLUSH TO OUTSIDE/ BAREFACE TENON
M&T	MORTISE AND TENON JOINT
2/5/5	TENON THICKNESS/ TENON LENGTH/ HOUSING DEPTH
-(2)1"	WITH (2) 1" DIA OAK PEGS
(2)TBS8/4	(2) ROTHOBLOSS TBS8 FASTENERS/ MIN. EMBEDMENT



Post Plan

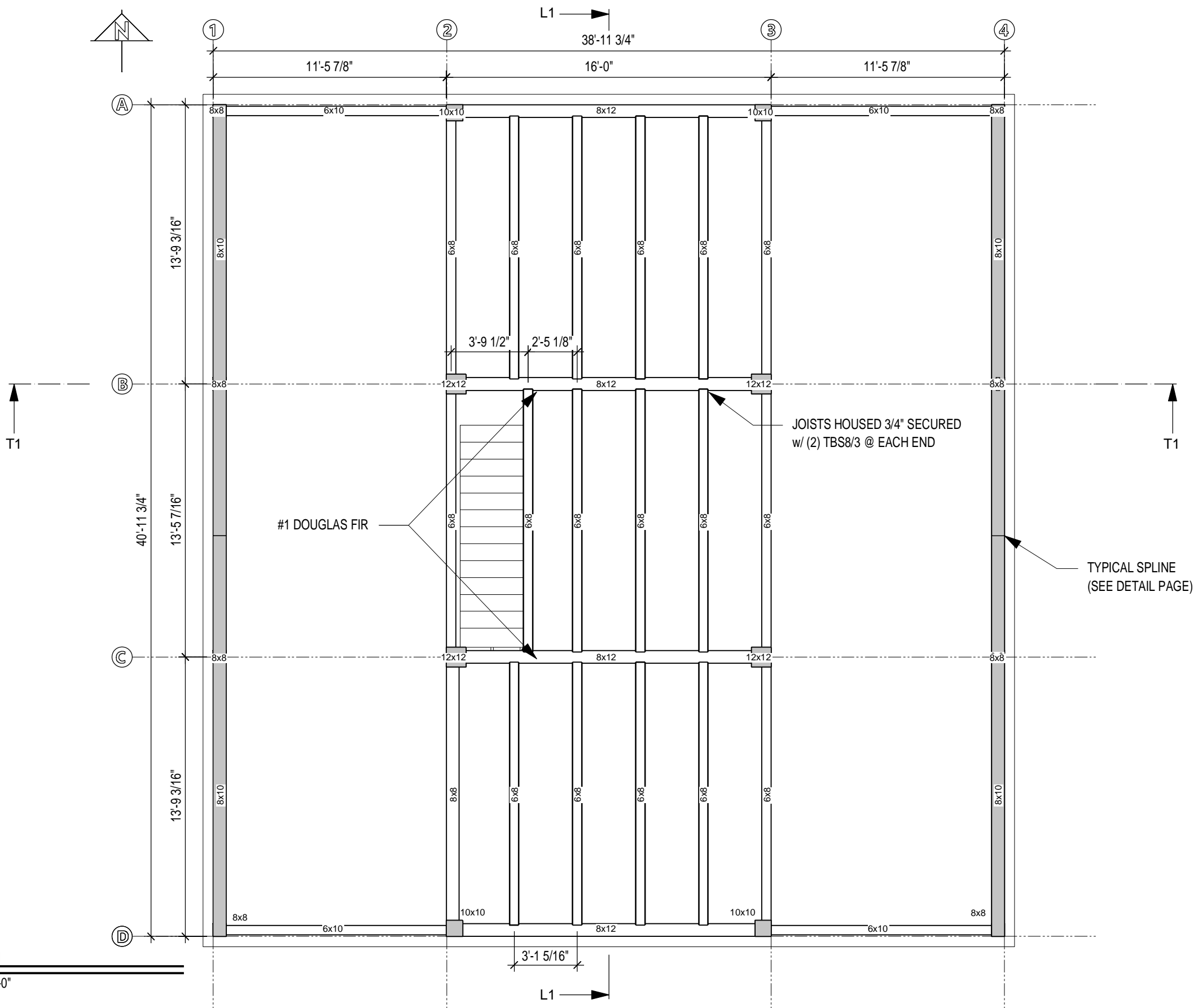
Scale: 3/16" = 1'-0"

<p>40x42 Monitor Barn</p> <p>40343 County Road 68 Stemboat Springs,, Colorado 80487</p>	Date: 11-23-2022	REVISIONS	<p>Copyright 2021. Timber Frame HQ. Reproduction and/or use without written permission is prohibited. These are Design Only plans. unless sealed by a State Licensed Professional Engineer. TFHQ assumes no responsibility and does not warrant these plans.</p>	<p>PO Box 133 Mountain Rest, SC 29664 888.552.9379 design@timberframehq.com</p>	<p>TF:5 OF 14</p> <p>3D file name: 40x42 Monitor w Walls File name: Uhl_Barn.2d</p>
	Issue:				
	AOR:				
	Client: Bill Uhl				
Designer: Chris Miller					
Checked By: Chris Miller					

Reviewed for Code Compliance

08/11/2023

DRAWING LEGEND	
TIMBER DESCRIPTION: NAME/ X-SECTION / PRODUCTION NUMBER	
IN ELEVATIONS AND SECTION VIEWS	
	INDICATES HOUSING IN VIEW
	INDICATES A MORTISE
	INDICATES A THROUGH MORTISE
	INDICATES A REFERENCE PLANE
	INDICATES A CENTERLINE REFERENCE
	INDICATES ENDGRAIN OF TIMBER
	INDICATES A TRANSVERSE SECTION CUT
	INDICATES A LONGITUDINAL SECTION CUT
IN PLAN VIEWS	
	POST: CONTINUOUS TO LOAD BEARING FLOOR
	POST DOWN: HIDDEN POST IN VIEW (LOAD PATH)
	POST AT FLOOR VIEW
	POST ABOVE
TERMINOLOGY	
FTO	BRACE ALIGNED FLUSH TO OUTSIDE/ BAREFACE TENON
M&T	MORTISE AND TENON JOINT
2/5/5	TENON THICKNESS/ TENON LENGTH/ HOUSING DEPTH
-(2)1"	WITH (2) 1" DIA OAK PEGS
(2)TBS8/4	(2) ROTHOBLOSS TBS8 FASTENERS/ MIN. EMBEDMENT



Loft Plan

Scale: 3/16" = 1'-0"

40x42 Monitor Barn
 40343 County Road 68
 Steamboat Springs,, Colorado 80487

Date:	11-23-2022	REVISIONS
Issue:		
AOR:		
Client:	Bill Uhl	
Designer:	Chris Miller	
Checked By:	Chris Miller	

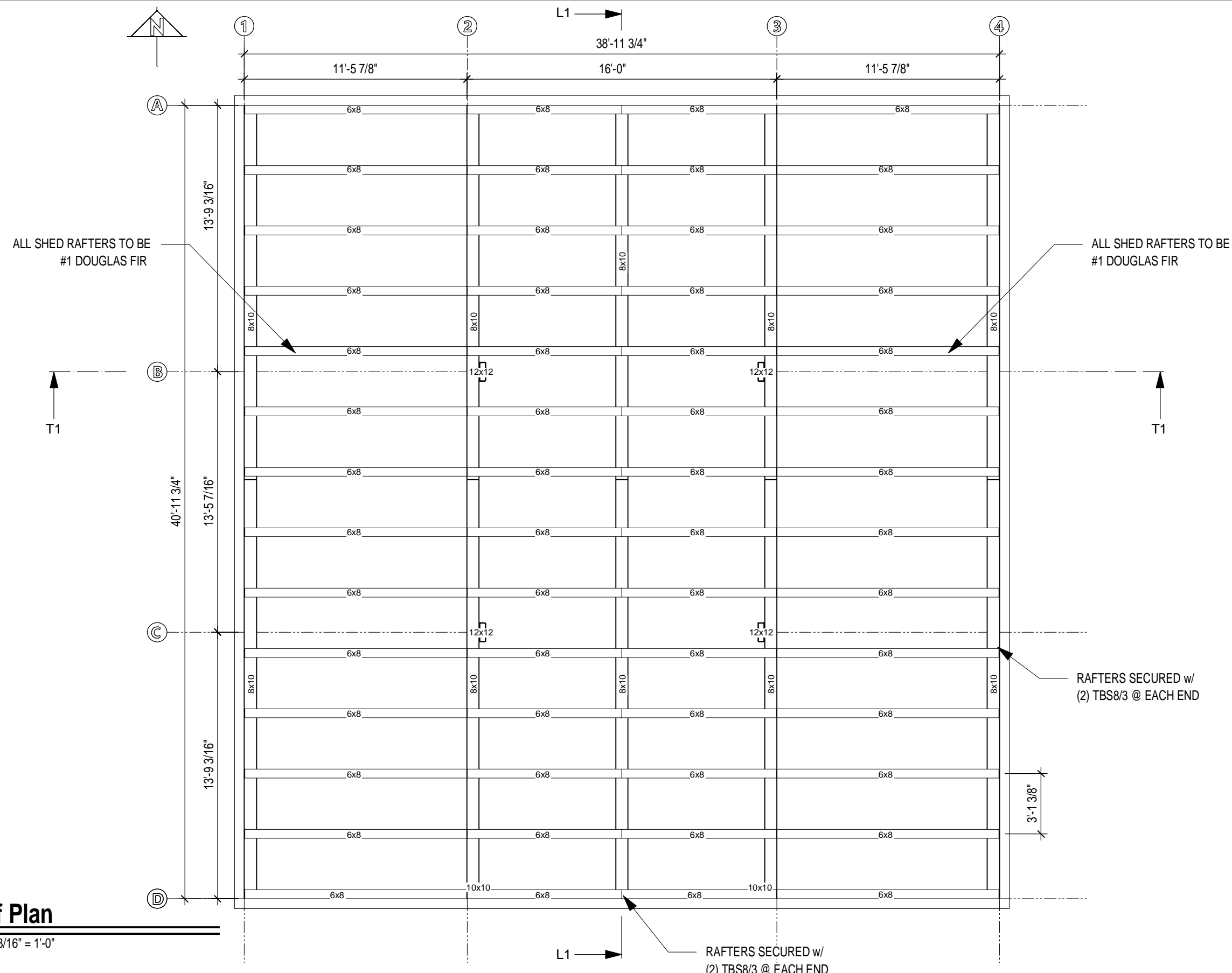
Copyright 2021. Timber Frame HQ. Reproduction and/or use without written permission is prohibited. These are Design Only plans. unless sealed by a State Licensed Professional Engineer. TFHQ assumes no responsibility and does not warrant these plans.

TIMBERFRAME
 HEADQUARTERS
 PO Box 133
 Mountain Rest, SC 29664
 888.552.9379
 design@timberframehq.com

TF:6 OF 14
 3D file name: 40x42 Monitor w Walls
 File name: Uhl Barn.2d

Reviewed for Code Compliance
08/11/2023

DRAWING LEGEND	
TIMBER DESCRIPTION: NAME/ X-SECTION / PRODUCT / LENGTH / NUMBER	
IN ELEVATIONS AND SECTION VIEWS	
	INDICATES HOUSING IN VIEW
	INDICATES A MORTISE
	INDICATES A THROUGH MORTISE
	INDICATES A REFERENCE PLANE
	INDICATES A CENTERLINE REFERENCE
	INDICATES ENDGRAIN OF TIMBER
	INDICATES A TRANSVERSE SECTION CUT
	INDICATES A LONGITUDINAL SECTION CUT
IN PLAN VIEWS	
	POST: CONTINUOUS TO LOAD BEARING FLOOR
	POST DOWN: HIDDEN POST IN VIEW (LOAD PATH)
	POST AT FLOOR VIEW
	POST ABOVE
TERMINOLOGY	
FTO	BRACE ALIGNED FLUSH TO OUTSIDE/ BAREFACE TENON
M&T	MORTISE AND TENON JOINT
2/5/5	TENON THICKNESS/ TENON LENGTH/ HOUSING DEPTH
-(2)1"	WITH (2) 1" DIA OAK PEGS
(2)TBS8/4	(2) ROTHOBLOSS TBS8 FASTENERS/ MIN. EMBEDMENT



Roof Plan

Scale: 3/16" = 1'-0"

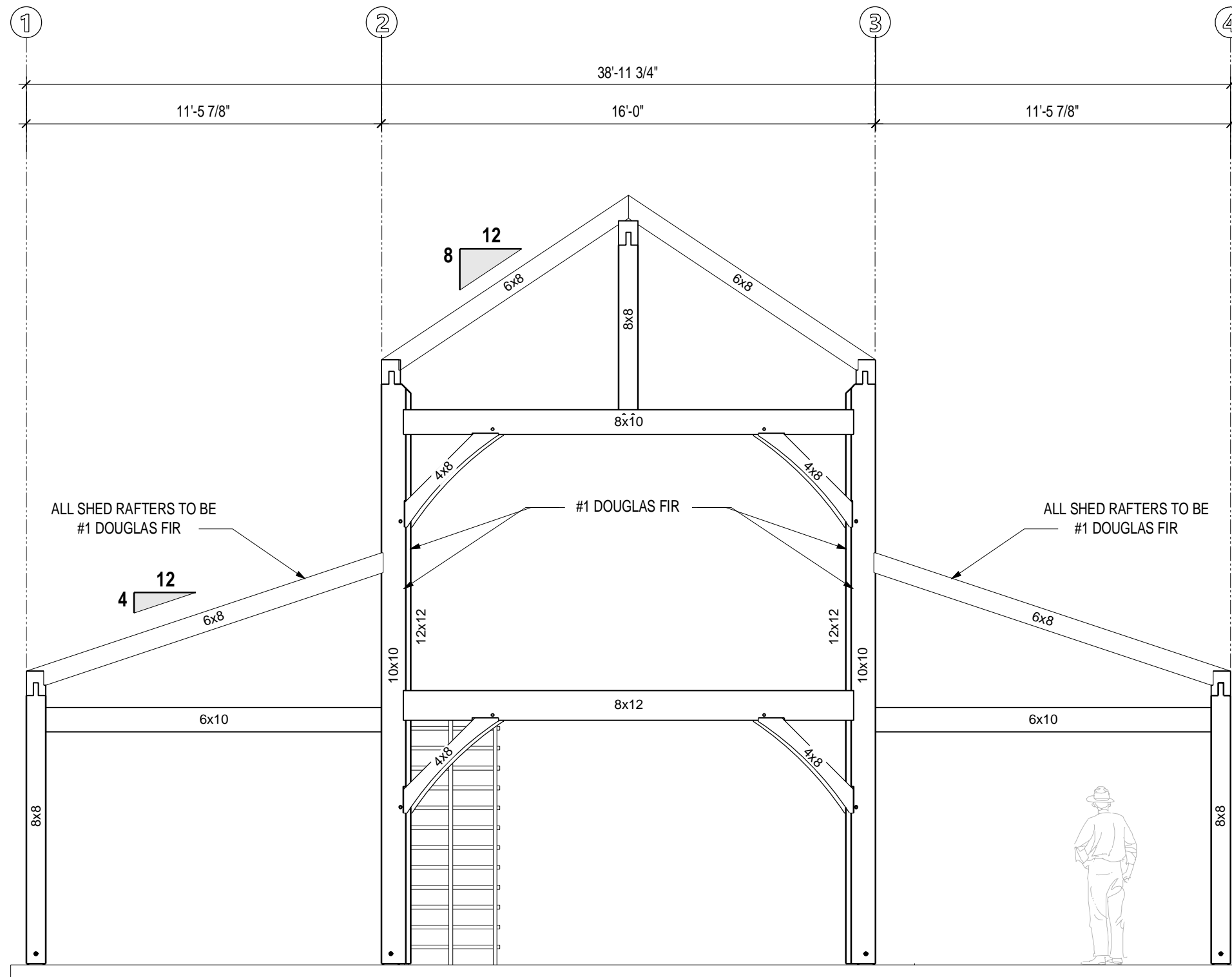
40x42 Monitor Barn
40343 County Road 68
Stemboat Springs,, Colorado 80487

Date:	11-23-2022	REVISIONS
Issue:		
AOR:		
Client:	Bill Uhl	
Designer:	Chris Miller	
Checked By:	Chris Miller	

Copyright 2021. Timber Frame HQ. Reproduction and/or use without written permission is prohibited. These are Design Only plans. unless sealed by a State Licensed Professional Engineer. TFHQ assumes no responsibility and does not warrant these plans.

TIMBERFRAME
HEADQUARTERS
PO Box 133
Mountain Rest, SC 29664
888.552.9379
design@timberframehq.com

TF:7 OF 14
3D file name: 40x42 Monitor w Walls
File name: Uhl_Barn.2d



DRAWING LEGEND	
TIMBER DESCRIPTION: NAME/ X-SECTION / PROFILE / DIMENSION / NUMBER	
IN ELEVATIONS AND SECTION VIEWS	
	INDICATES HOUSING IN VIEW
	INDICATES A MORTISE
	INDICATES A THROUGH MORTISE
	INDICATES A REFERENCE PLANE
	INDICATES A CENTERLINE REFERENCE
	INDICATES ENDGRAIN OF TIMBER
	INDICATES A TRANSVERSE SECTION CUT
	INDICATES A LONGITUDINAL SECTION CUT
IN PLAN VIEWS	
	POST: CONTINUOUS TO LOAD BEARING FLOOR
	POST DOWN: HIDDEN POST IN VIEW (LOAD PATH)
	POST AT FLOOR VIEW
	POST ABOVE
TERMINOLOGY	
FTO	BRACE ALIGNED FLUSH TO OUTSIDE/ BAREFACE TENON
M&T	MORTISE AND TENON JOINT
2/5/5	TENON THICKNESS/ TENON LENGTH/ HOUSING DEPTH
-(2)1"	WITH (2) 1" DIA OAK PEGS
(2)TBS8/4	(2) ROTHOBLOSS TBS8 FASTENERS/ MIN. EMBEDMENT

Reviewed for
Code Compliance
08/11/2023

South Elevation

Scale: 1/4" = 1'-0"

40x42 Monitor Barn

40343 County Road 68
Stemboat Springs,, Colorado 80487

Date:	11-23-2022	REVISIONS
Issue:		
AOR:		
Client:	Bill Uhl	
Designer:	Chris Miller	
Checked By:	Chris Miller	

Copyright 2021. Timber Frame HQ. Reproduction and/or use without written permission is prohibited. These are Design Only plans. unless sealed by a State Licensed Professional Engineer. TFHQ assumes no responsibility and does not warrant these plans.

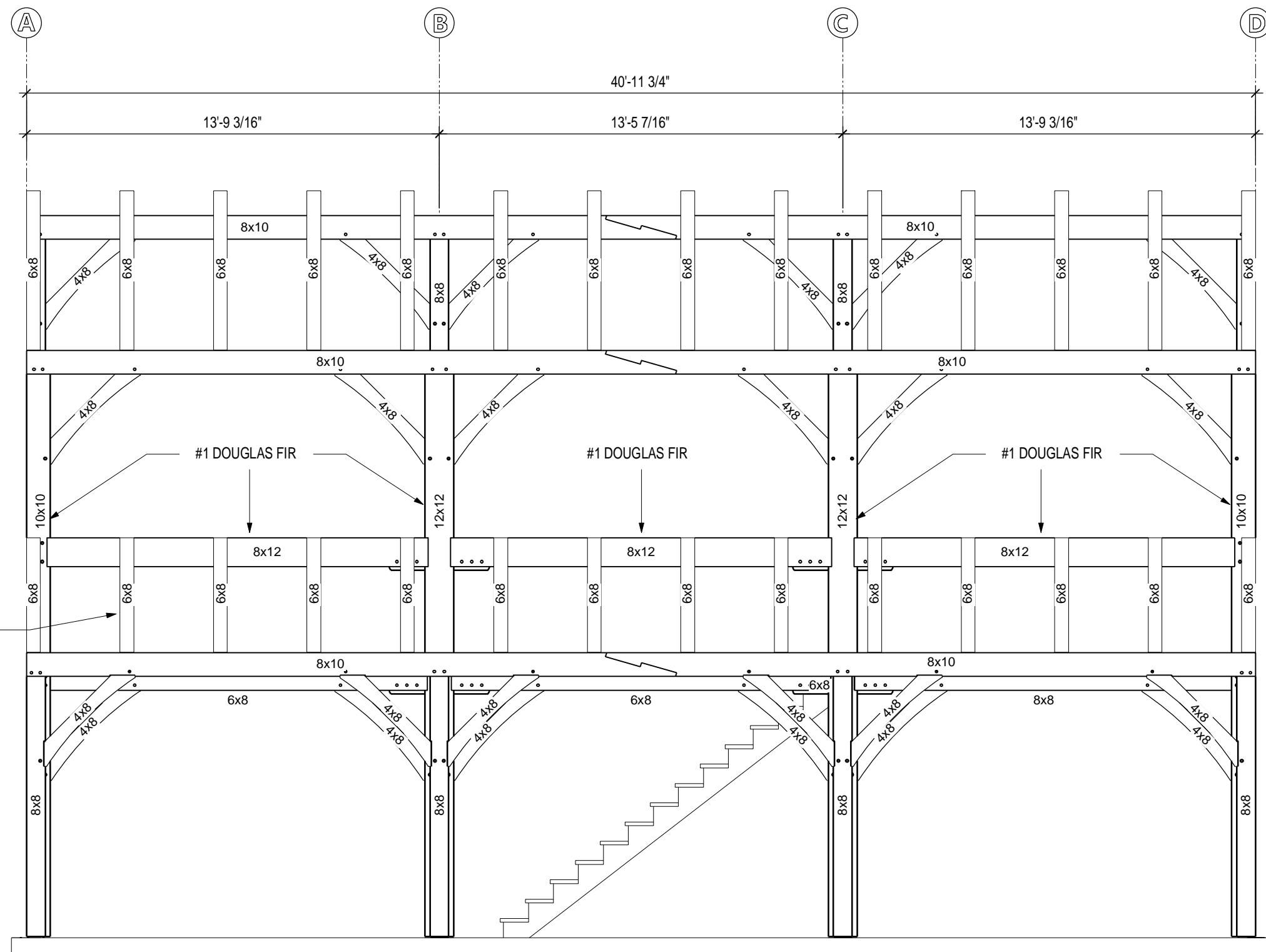
TIMBERFRAME
HEADQUARTERS
PO Box 133
Mountain Rest, SC 29664
888.552.9379
design@timberframehq.com

TF:8 OF 14

3D file name: 40x42 Monitor w Walls
File name: Uhl Barn.2d

Reviewed for Code Compliance

08/11/2023



DRAWING LEGEND	
TIMBER DESCRIPTION: NAME/ X-SECTION / PROFILE / DIMENSION / NUMBER	
IN ELEVATIONS AND SECTION VIEWS	
	INDICATES HOUSING IN VIEW
	INDICATES A MORTISE
	INDICATES A THROUGH MORTISE
	INDICATES A REFERENCE PLANE
	INDICATES A CENTERLINE REFERENCE
	INDICATES ENDGRAIN OF TIMBER
	INDICATES A TRANSVERSE SECTION CUT
	INDICATES A LONGITUDINAL SECTION CUT
IN PLAN VIEWS	
	POST: CONTINUOUS TO LOAD BEARING FLOOR
	POST DOWN: HIDDEN POST IN VIEW (LOAD PATH)
	POST AT FLOOR VIEW
	POST ABOVE
TERMINOLOGY	
FTO	BRACE ALIGNED FLUSH TO OUTSIDE/ BAREFACE TENON
M&T	MORTISE AND TENON JOINT
2/5/5	TENON THICKNESS/ TENON LENGTH/ HOUSING DEPTH
-(2)1"	WITH (2) 1" DIA OAK PEGS
(2)TBS8/4	(2) ROTHOBLOSS TBS8 FASTENERS/ MIN. EMBEDMENT

West Elevation

Scale: 1/4" = 1'-0"

40x42 Monitor Barn

40343 County Road 68
Stemboat Springs,, Colorado 80487

Date: 11-23-2022
Issue:
AOR:
Client: Bill Uhl
Designer: Chris Miller
Checked By: Chris Miller

REVISIONS

Copyright 2021. Timber Frame HQ. Reproduction and/or use without written permission is prohibited. These are Design Only plans. unless sealed by a State Licensed Professional Engineer. TFHQ assumes no responsibility and does not warrant these plans.

TIMBERFRAME
HEADQUARTERS
PO Box 133
Mountain Rest, SC 29664
888.552.9379
design@timberframehq.com

TF:9 OF 14

3D file name: 40x42 Monitor w Walls
File name: Uhl Barn.2d

DRAWING LEGEND

TIMBER DESCRIPTION:
NAME/ X-SECTION / PRODUCTION NUMBER

IN ELEVATIONS AND SECTION VIEWS

INDICATES HOUSING IN VIEW

INDICATES A MORTISE

INDICATES A THROUGH MORTISE

INDICATES A REFERENCE PLANE

INDICATES A CENTERLINE REFERENCE

INDICATES ENDGRAIN OF TIMBER

INDICATES A TRANSVERSE SECTION CUT

INDICATES A LONGITUDINAL SECTION CUT

IN PLAN VIEWS

POST: CONTINUOUS TO LOAD BEARING FLOOR

POST DOWN: HIDDEN POST IN VIEW (LOAD PATH)

POST AT FLOOR VIEW

POST ABOVE

TERMINOLOGY

FTO BRACE ALIGNED FLUSH TO OUTSIDE/ BAREFACE TENON

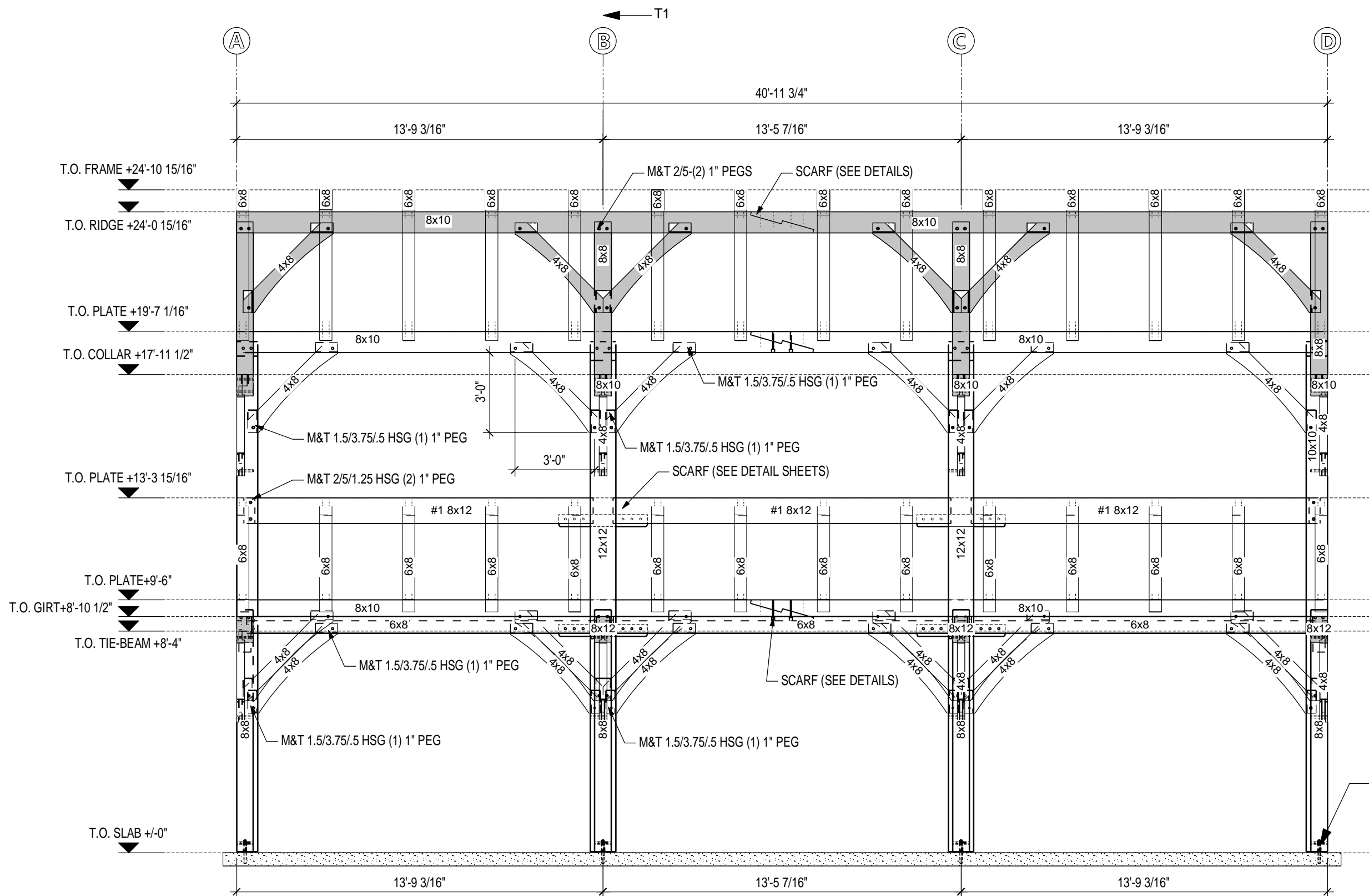
M&T MORTISE AND TENON JOINT

2/5/5 TENON THICKNESS/ TENON LENGTH/ HOUSING DEPTH

-(2)1" WITH (2) 1" DIA OAK PEGS

(2)TBS8/4 (2) ROTHOBLOSS TBS8 FASTENERS/ MIN. EMBEDMENT

Reviewed for
Code Compliance
08/11/2023



(1) TIMBERLINX A475
@ EACH POST (SEE DETAIL SHEETS)

Longitudinal Section

Scale: 1/4" = 1'-0"

40x42 Monitor Barn

40343 County Road 68
Stemboat Springs,, Colorado 80487

Date: 11-23-2022
Issue:
AOR:
Client: Bill Uhl
Designer: Chris Miller
Checked By: Chris Miller

REVISIONS

Copyright 2021. Timber Frame HQ. Reproduction and/or use without written permission is prohibited. These are Design Only plans. unless sealed by a State Licensed Professional Engineer. TFHQ assumes no responsibility and does not warrant these plans.



PO Box 133
Mountain Rest, SC 29664
888.552.9379
design@timberframehq.com




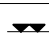




TF:10 OF 14

3D file name: 40x42 Monitor w Walls
File name: Uhl Barn.2d





DRAWING LEGEND

TIMBER DESCRIPTION:
NAME/ X-SECTION / PRODUCTION NUMBER

IN ELEVATIONS AND SECTION VIEWS

-  INDICATES HOUSING IN VIEW
-  INDICATES A MORTISE
-  INDICATES A THROUGH MORTISE
-  INDICATES A REFERENCE PLANE
-  INDICATES A CENTERLINE REFERENCE
-  INDICATES ENDGRAIN OF TIMBER
-  INDICATES A TRANSVERSE SECTION CUT
-  INDICATES A LONGITUDINAL SECTION CUT

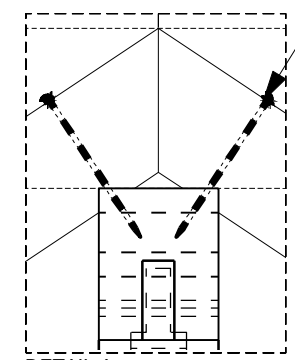
IN PLAN VIEWS

-  POST: CONTINUOUS TO LOAD BEARING FLOOR
-  POST DOWN: HIDDEN POST IN VIEW (LOAD PATH)
-  POST AT FLOOR VIEW
-  POST ABOVE

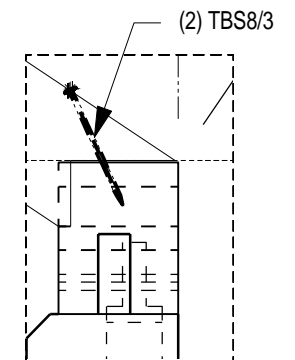
TERMINOLOGY

- FTO BRACE ALIGNED FLUSH TO OUTSIDE/ BAREFACE TENON
- M&T MORTISE AND TENON JOINT
- 2/5/5 TENON THICKNESS/ TENON LENGTH/ HOUSING DEPTH
- (-2)1" WITH (2) 1" DIA OAK PEGS
- (2)TBS8/4 (2) ROTHOBLOSS TBS8 FASTENERS/ MIN. EMBEDMENT

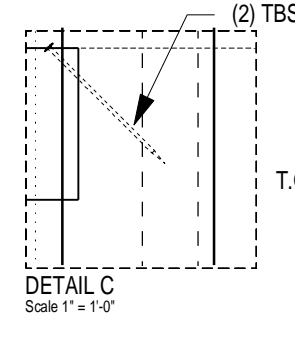
Reviewed for Code Compliance
08/11/2023



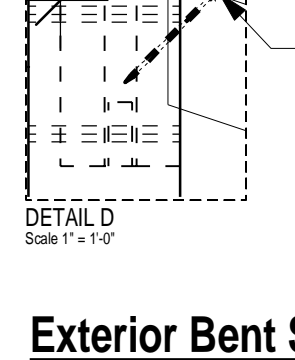
DETAIL A
Scale 1" = 1'-0"



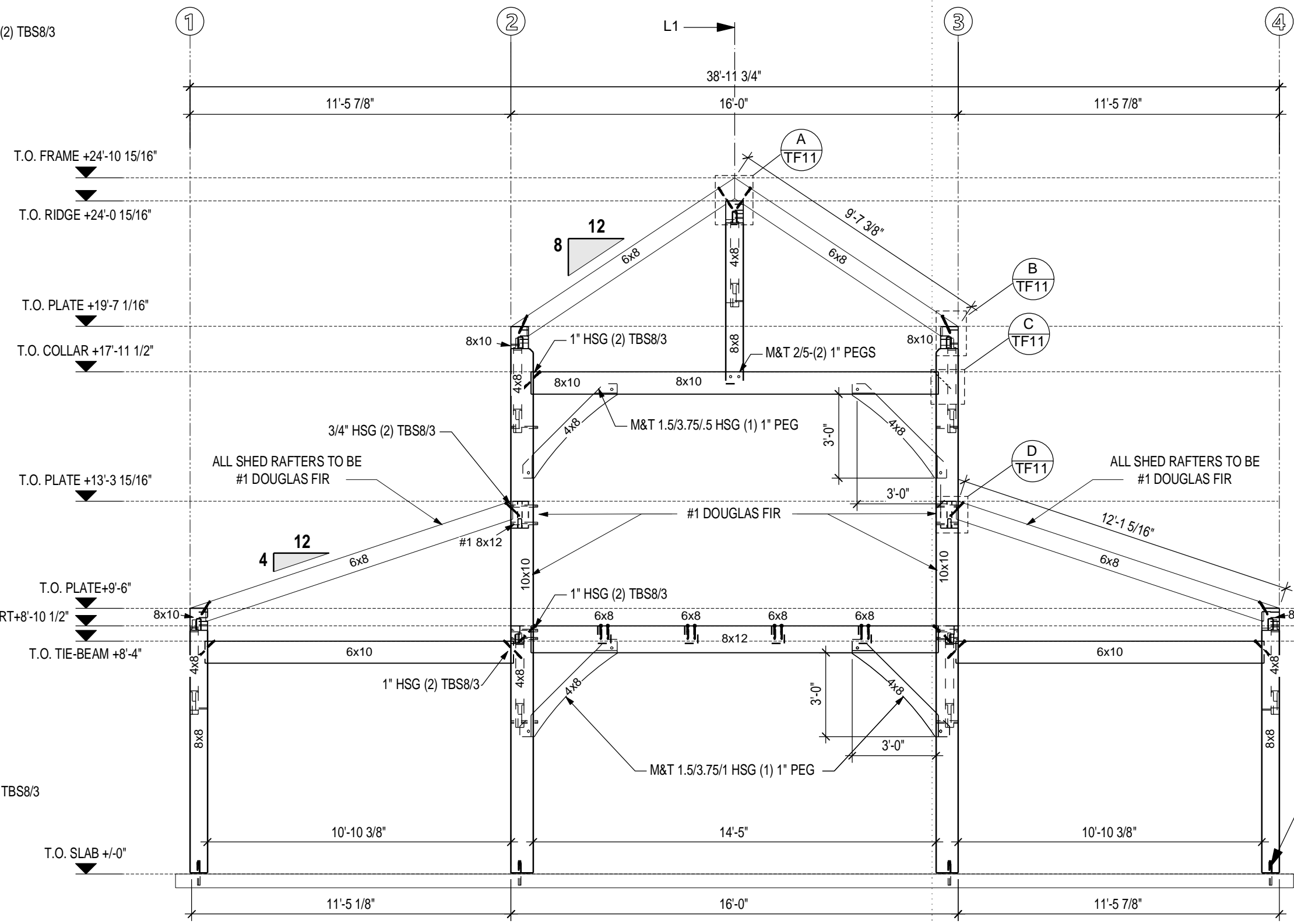
DETAIL B
Scale 1" = 1'-0"



DETAIL C
Scale 1" = 1'-0"



DETAIL D
Scale 1" = 1'-0"



Exterior Bent Section

Scale: 1/4" = 1'-0"

40x42 Monitor Barn
 40343 County Road 68
 Stenboat Springs, Colorado 80487

Date:	11-23-2022	REVISIONS	
Issue:			
AOR:			
Client:	Bill Uhl		
Designer:	Chris Miller		
Checked By:	Chris Miller		

Copyright 2021, Timber Frame HQ. Reproduction and/or use without written permission is prohibited. These are Design Only plans. unless sealed by a State Licensed Professional Engineer. TFHQ assumes no responsibility and does not warrant these plans.

TIMBERFRAME
 HEADQUARTERS
 PO Box 133
 Mountain Rest, SC 29664
 888.552.9379
 design@timberframehq.com

TF:11 OF 14
 3D file name: 40x42 Monitor w Walls
 File name: Uhl Barn.2d

DRAWING LEGEND

TIMBER DESCRIPTION:
NAME/ X-SECTION / PRODUCTION NUMBER

IN ELEVATIONS AND SECTION VIEWS

INDICATES HOUSING IN VIEW

INDICATES A MORTISE

INDICATES A THROUGH MORTISE

INDICATES A REFERENCE PLANE

INDICATES A CENTERLINE REFERENCE

INDICATES ENDGRAIN OF TIMBER

INDICATES A TRANSVERSE SECTION CUT

INDICATES A LONGITUDINAL SECTION CUT

IN PLAN VIEWS

POST: CONTINUOUS TO LOAD BEARING FLOOR

POST DOWN: HIDDEN POST IN VIEW (LOAD PATH)

POST AT FLOOR VIEW

POST ABOVE

TERMINOLOGY

FTO BRACE ALIGNED FLUSH TO OUTSIDE/ BAREFACE TENON

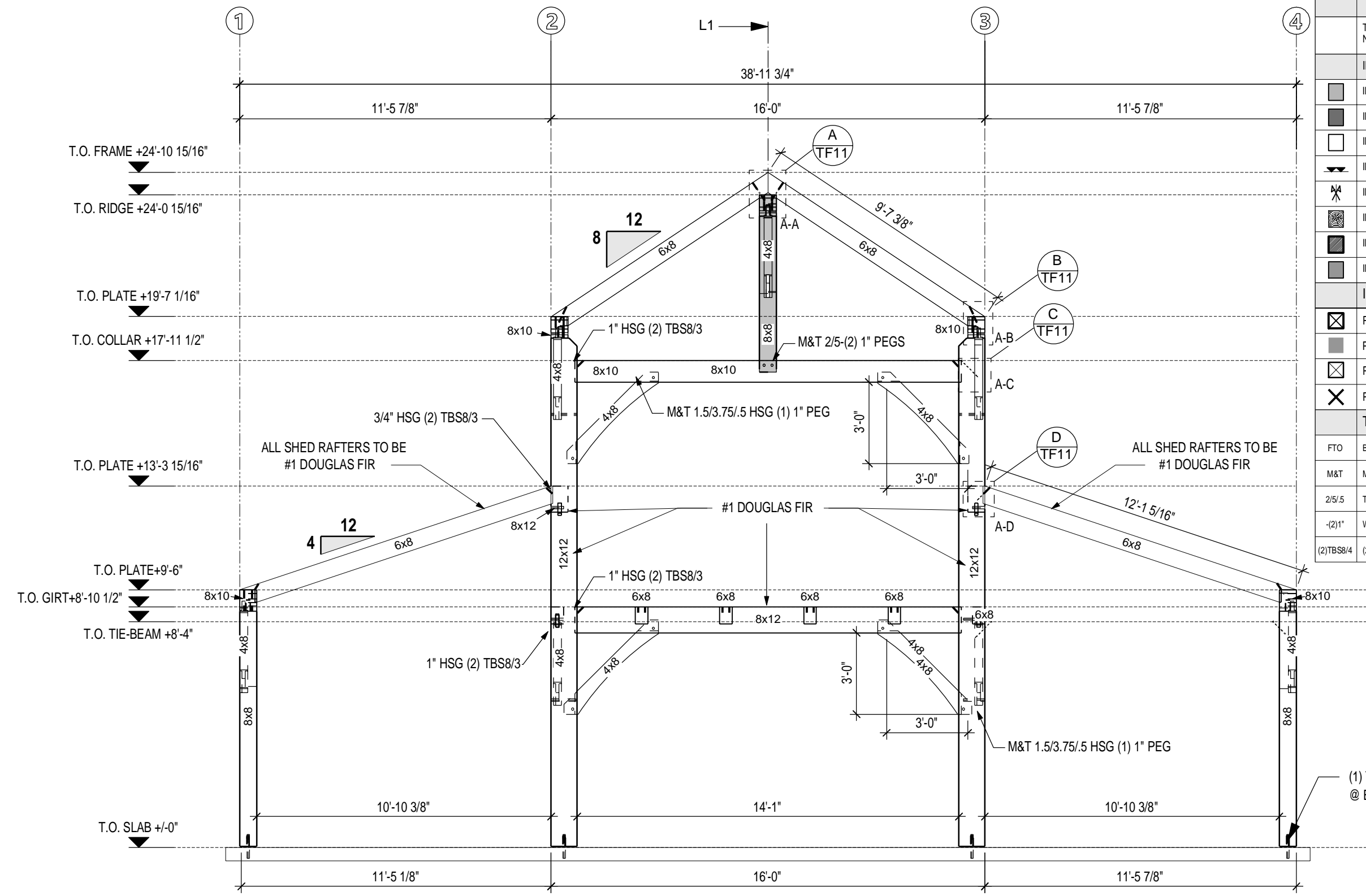
M&T MORTISE AND TENON JOINT

2/5/5 TENON THICKNESS/ TENON LENGTH/ HOUSING DEPTH

(-2)1" WITH (2) 1" DIA OAK PEGS

(2)TBS8/4 (2) ROTHOBLOSS TBS8 FASTENERS/ MIN. EMBEDMENT

Reviewed for Code Compliance
08/11/2023



T.O. FRAME +24'-10 15/16"
 T.O. RIDGE +24'-0 15/16"
 T.O. PLATE +19'-7 1/16"
 T.O. COLLAR +17'-11 1/2"
 T.O. PLATE +13'-3 15/16"
 T.O. PLATE +9'-6"
 T.O. GIRT +8'-10 1/2"
 T.O. TIE-BEAM +8'-4"
 T.O. SLAB +/-0"

Scale 1" = 1'-0"

Interior Bent Section

Scale: 1/4" = 1'-0"

40x42 Monitor Barn
 40343 County Road 68
 Stenboat Springs,, Colorado 80487

Date: 11-23-2022
 Issue:
 AOR:
 Client: Bill Uhl
 Designer: Chris Miller
 Checked By: Chris Miller

REVISIONS	

Copyright 2021. Timber Frame HQ. Reproduction and/or use without written permission is prohibited. These are Design Only plans. unless sealed by a State Licensed Professional Engineer. TFHQ assumes no responsibility and does not warrant these plans.

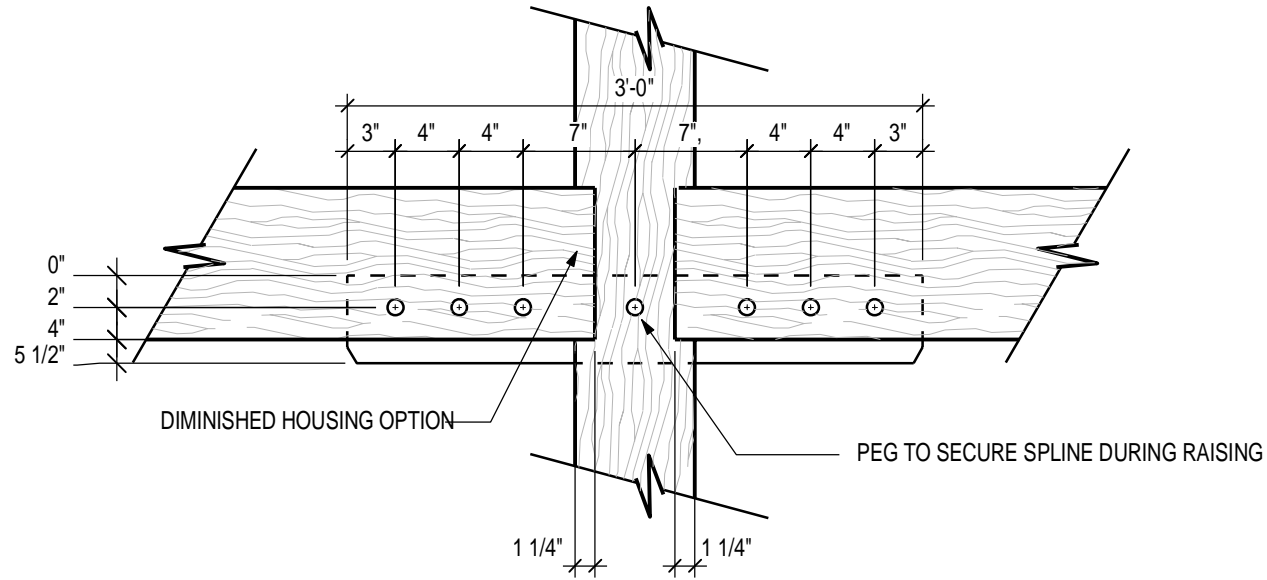
TIMBERFRAME
 HEADQUARTERS
 PO Box 133
 Mountain Rest, SC 29664
 888.552.9379
 design@timberframehq.com

TF:12 OF 14
 3D file name: 40x42 Monitor w Walls
 File name: Uhl Barn.2d

DETAIL: OAK SPLINE: 1.5 X 5.5

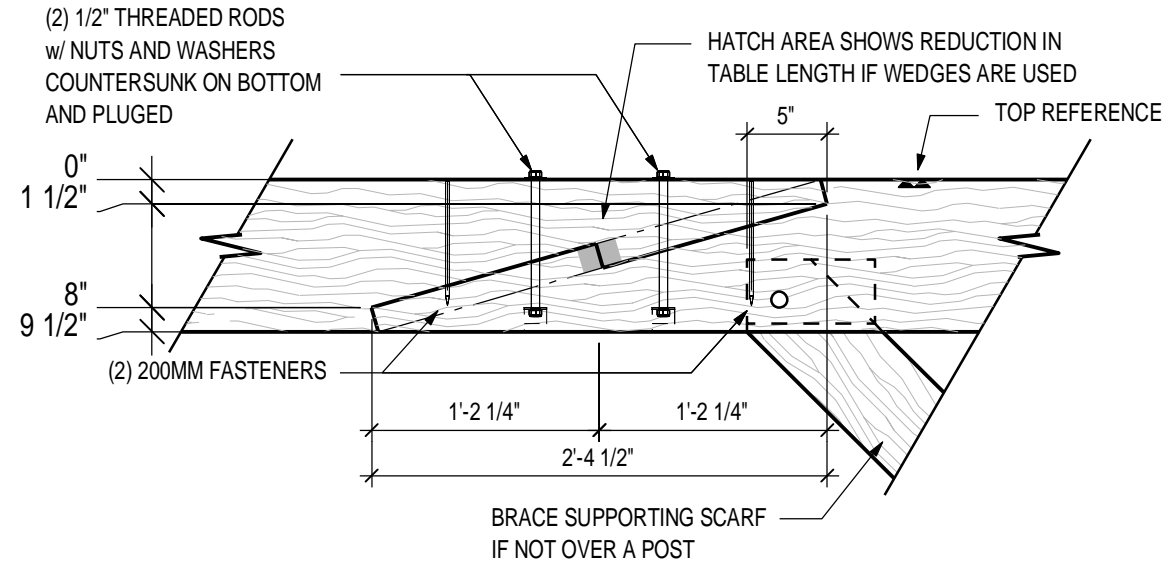
SCALE: 1" = 1'

- OAK SPLINE LESS THAN 15% M.C.
- STRAIGHT GRAINED MATERIAL
- BUILDER OPTION TO CUT DIMINISHED HOUSINGS (1") : SHOWN WITH DASHED LINE



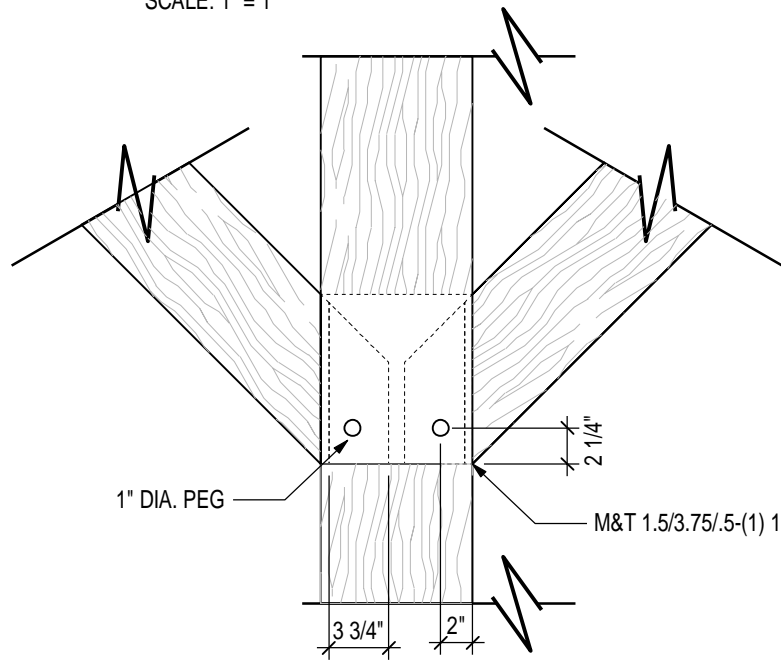
DETAIL: 8X10 SCARF JOINT

SCALE: 1" = 1'



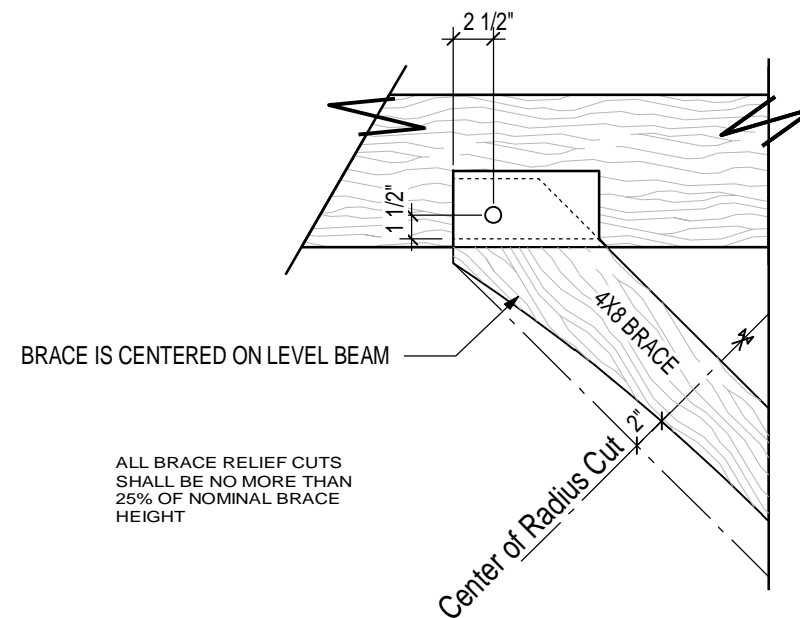
S4S BRACE CONNECTION

SCALE: 1" = 1'



TYPICAL S4S BRACE: 4" TENON

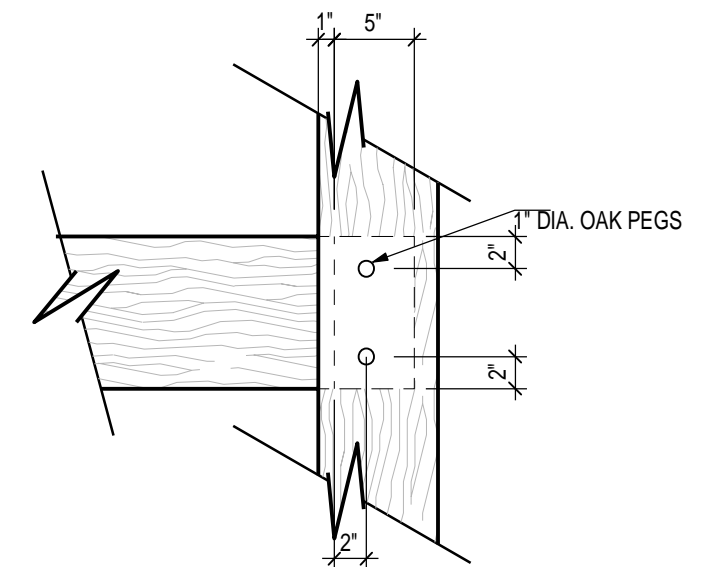
SCALE: 1" = 1'



DETAIL: 8X10, TIEBEAM TO POST

SCALE: 1" = 1'

- 2" THICK X 5" LONG TENON WITH 1" HOUSING
- (2) 1" DIA. OAK PEGS



DRAWING LEGEND

DRAWING LEGEND	
TIMBER DESCRIPTION: NAME/ X-SECTION / PRODUCTION NUMBER	
IN ELEVATIONS AND SECTION VIEWS	
	INDICATES HOUSING IN VIEW
	INDICATES A MORTISE
	INDICATES A THROUGH MORTISE
	INDICATES A REFERENCE PLANE
	INDICATES A CENTERLINE REFERENCE
	INDICATES ENDGRAIN OF TIMBER
	INDICATES A TRANSVERSE SECTION CUT
	INDICATES A LONGITUDINAL SECTION CUT
IN PLAN VIEWS	
	POST: CONTINUOUS TO LOAD BEARING FLOOR
	POST DOWN: HIDDEN POST IN VIEW (LOAD PATH)
	POST AT FLOOR VIEW
	POST ABOVE
TERMINOLOGY	
FTO	BRACE ALIGNED FLUSH TO OUTSIDE/ BAREFACE TENON
M&T	MORTISE AND TENON JOINT
2/5/5	TENON THICKNESS/ TENON LENGTH/ HOUSING DEPTH
-(2)1"	WITH (2) 1" DIA OAK PEGS
(2)TBS8/4	(2) ROTHOBLOSS TBS8 FASTENERS/ MIN. EMBEDMENT

Reviewed for Code Compliance
08/11/2023

40x42 Monitor Barn

40343 County Road 68
Stemboat Springs,, Colorado 80487

Date: 11-23-2022
Issue:
AOR:
Client: Bill Uhl
Designer: Chris Miller
Checked By: Chris Miller

REVISIONS

Copyright 2021. Timber Frame HQ. Reproduction and/or use without written permission is prohibited. These are Design Only plans. unless sealed by a State Licensed Professional Engineer. TFHQ assumes no responsibility and does not warrant these plans.

TIMBERFRAME
HEADQUARTERS
PO Box 133
Mountain Rest, SC 29664
888.552.9379
design@timberframehq.com

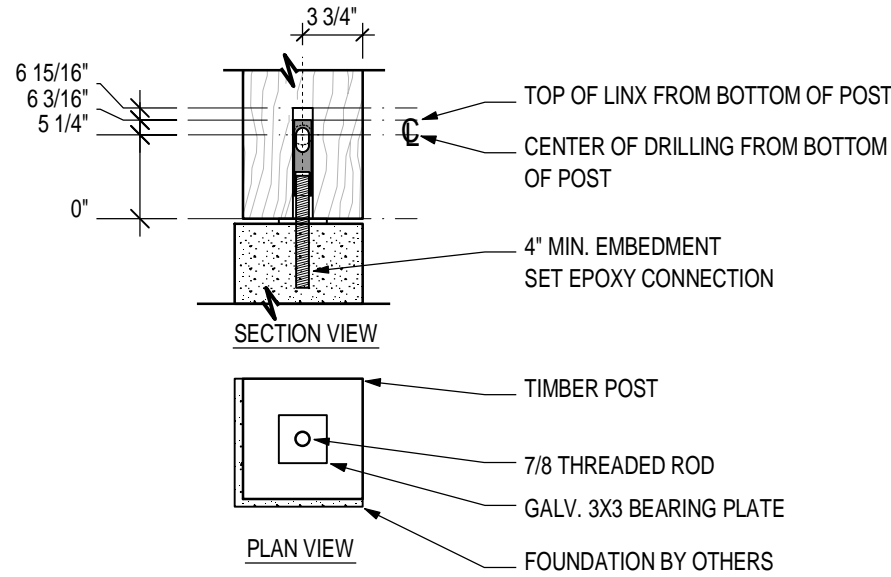
TF:13 OF 14

3D file name: 40x42 Monitor w Walls
File name: Uhl Barn.2d

DETAIL: DRY POST BASE: TIMBERLINX A475

SCALE: 1" = 1'

- TIMBERLINX A475 CONNECTION
- PIN EXPANDS TO APPLY FORCE BETWEEN TOP OF LINX ORIFICE AND BOTTOM OF LEVEL DRILLING IN POST
- PRECISION IS REQUIRED.
- CONSULT FOR APPROVED EQUIVALENT POST CONNECTION
- BOTH OPTIONS REQUIRE 4" MIN EMBEDMENT OF 7/8 ROD INTO CONCRETE
- SEAL ENDGRAIN OF POST BOTTOM



DRAWING LEGEND

TIMBER DESCRIPTION: NAME/ X-SECTION / PRODUCTION NUMBER

IN ELEVATIONS AND SECTION VIEWS

- INDICATES HOUSING IN VIEW
- INDICATES A MORTISE
- INDICATES A THROUGH MORTISE
- INDICATES A REFERENCE PLANE
- INDICATES A CENTERLINE REFERENCE
- INDICATES ENDGRAIN OF TIMBER
- INDICATES A TRANSVERSE SECTION CUT
- INDICATES A LONGITUDINAL SECTION CUT

IN PLAN VIEWS

- POST: CONTINUOUS TO LOAD BEARING FLOOR
- POST DOWN: HIDDEN POST IN VIEW (LOAD PATH)
- POST AT FLOOR VIEW
- POST ABOVE

TERMINOLOGY

FTO	BRACE ALIGNED FLUSH TO OUTSIDE/ BAREFACE TENON
M&T	MORTISE AND TENON JOINT
2/5/5	TENON THICKNESS/ TENON LENGTH/ HOUSING DEPTH
-(2)1"	WITH (2) 1" DIA OAK PEGS
(2)TBS8/4	(2) ROTHOBLOSS TBS8 FASTENERS/ MIN. EMBEDMENT

Reviewed for Code Compliance
08/11/2023

40x42 Monitor Barn

40343 County Road 68
Stemboat Springs,, Colorado 80487

Date: 11-23-2022
Issue:
AOR:
Client: Bill Uhl
Designer: Chris Miller
Checked By: Chris Miller

REVISIONS

Copyright 2021. Timber Frame HQ. Reproduction and/or use without written permission is prohibited. These are Design Only plans. unless sealed by a State Licensed Professional Engineer. TFHQ assumes no responsibility and does not warrant these plans.



PO Box 133
Mountain Rest, SC 29664
888.552.9379
design@timberframehq.com

TF:14 OF 14

3D file name: 40x42 Monitor w Walls
File name: Uhl Barn.2d