

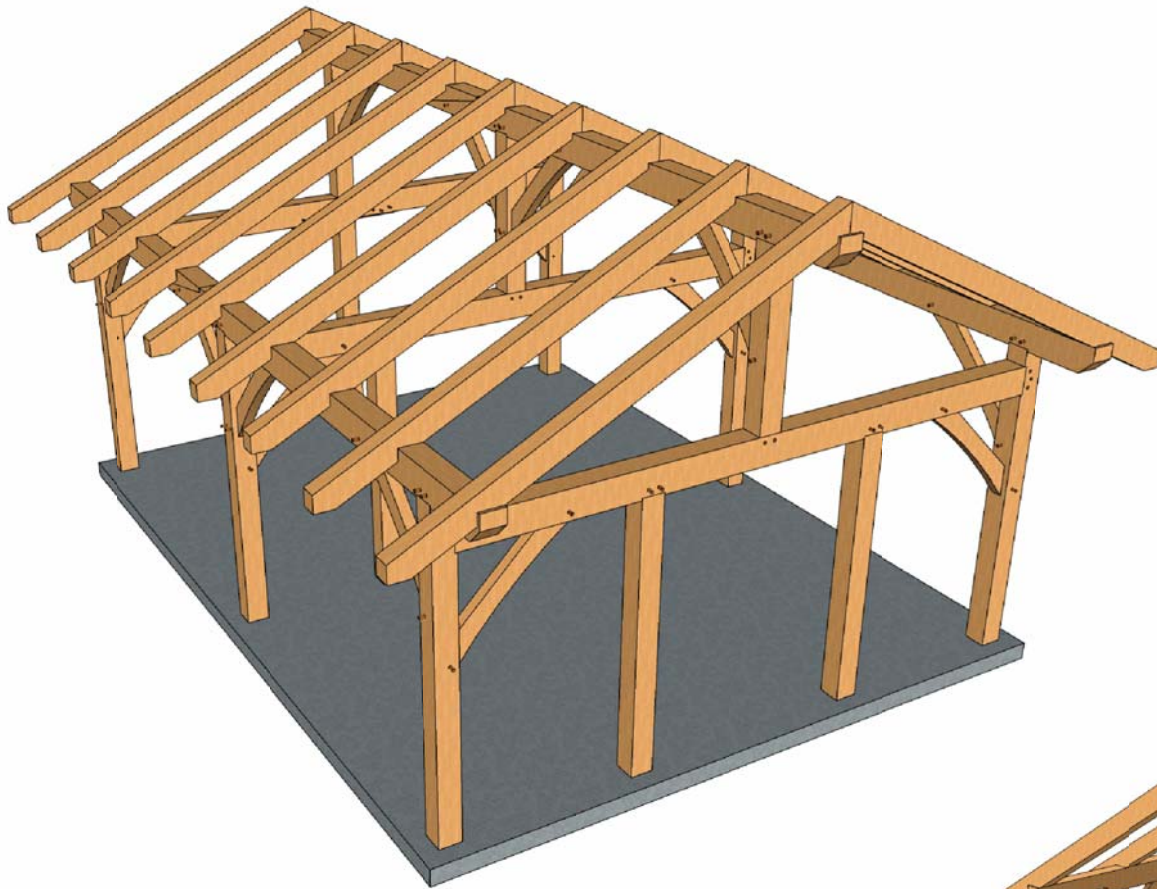
18x24 King Post Timber Frame

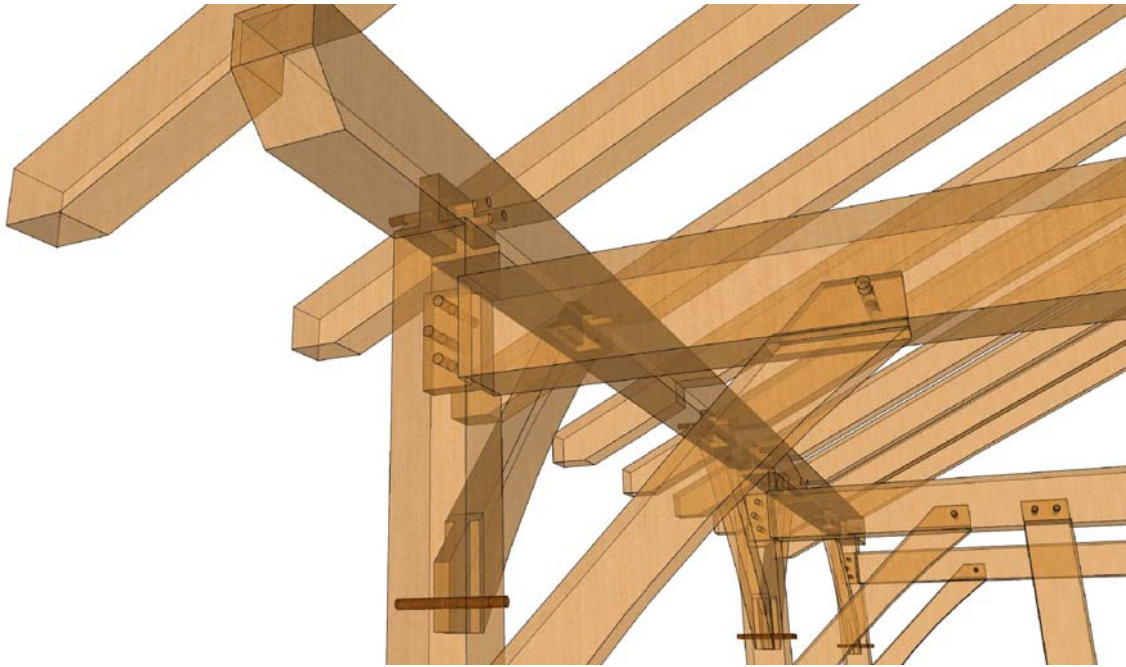
INDEX OF DRAWINGS

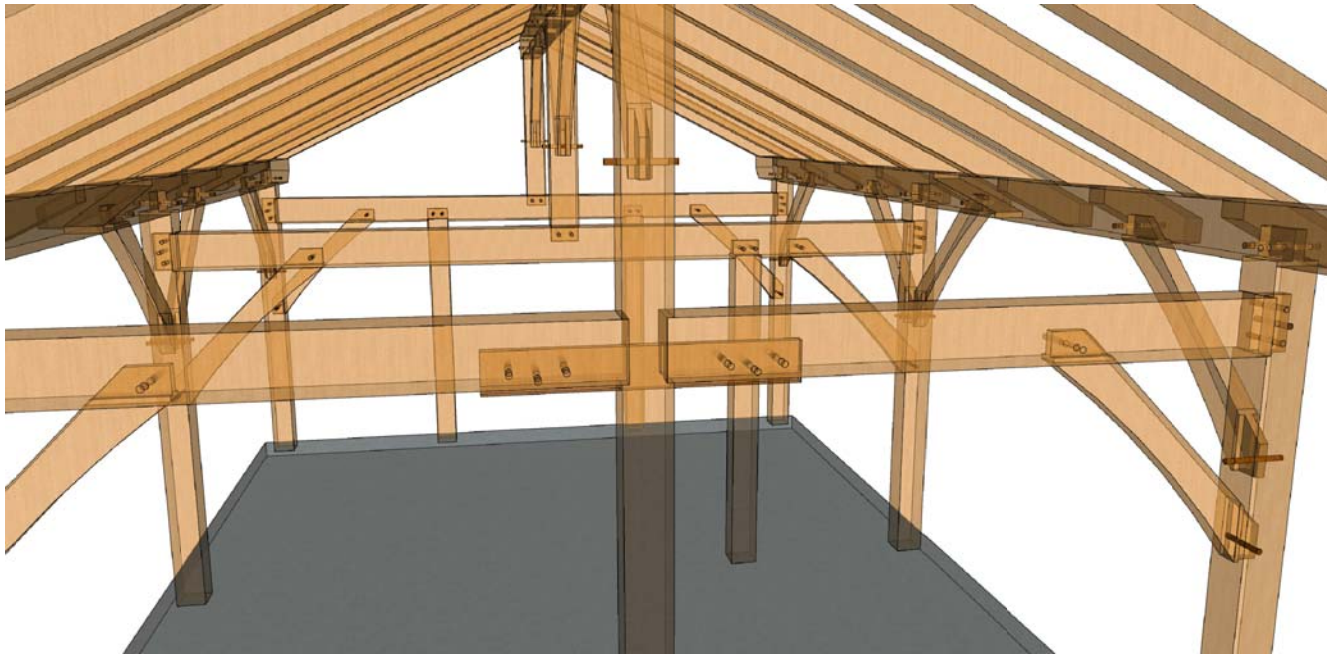
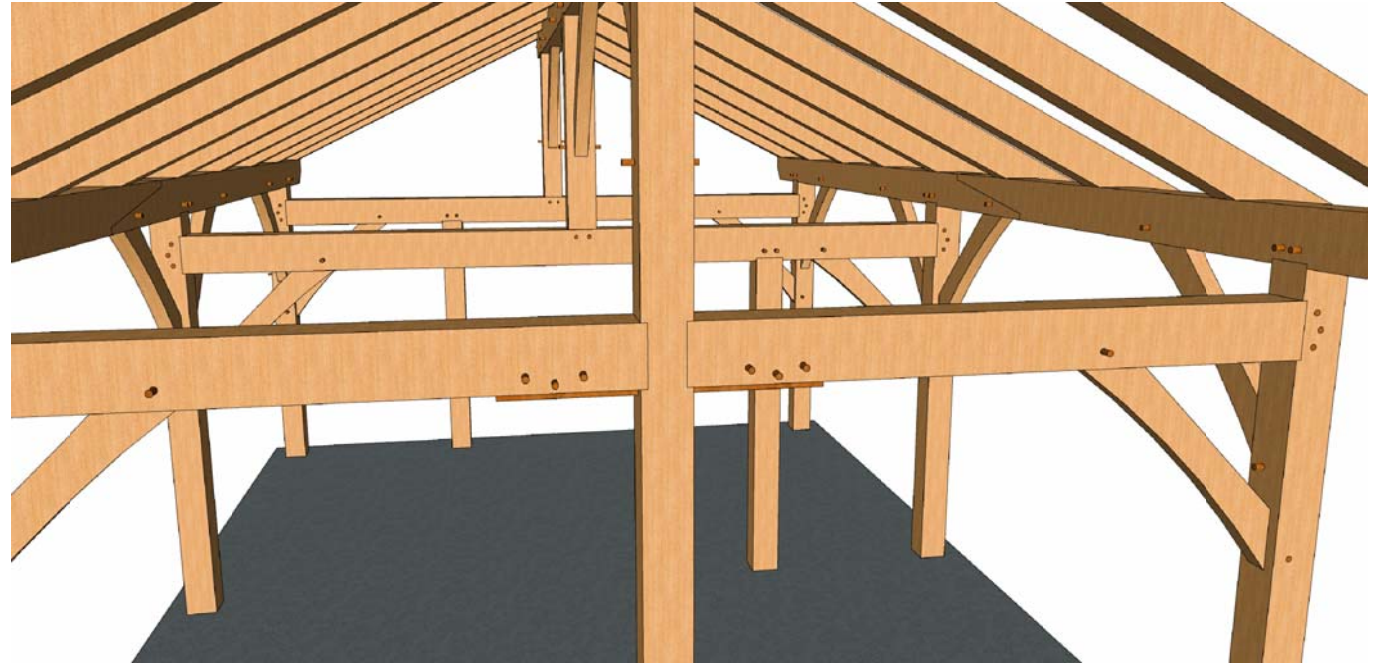
1. CS-1 - COVER SHEET/3D PERSPECTIVE
2. CS-2 - 3D PERSPECTIVES
3. CS-3 - 3D PERSPECTIVES
4. CS-4 - 3D PERSPECTIVES
4. CS-5 - 3D PERSPECTIVES
5. CS-6 - GENERAL NOTES
6. CS-7 - TIMBER/FASTENER SCHEDULE
7. TF-1 - POST PLAN
8. TF-2 - ROOF PLAN

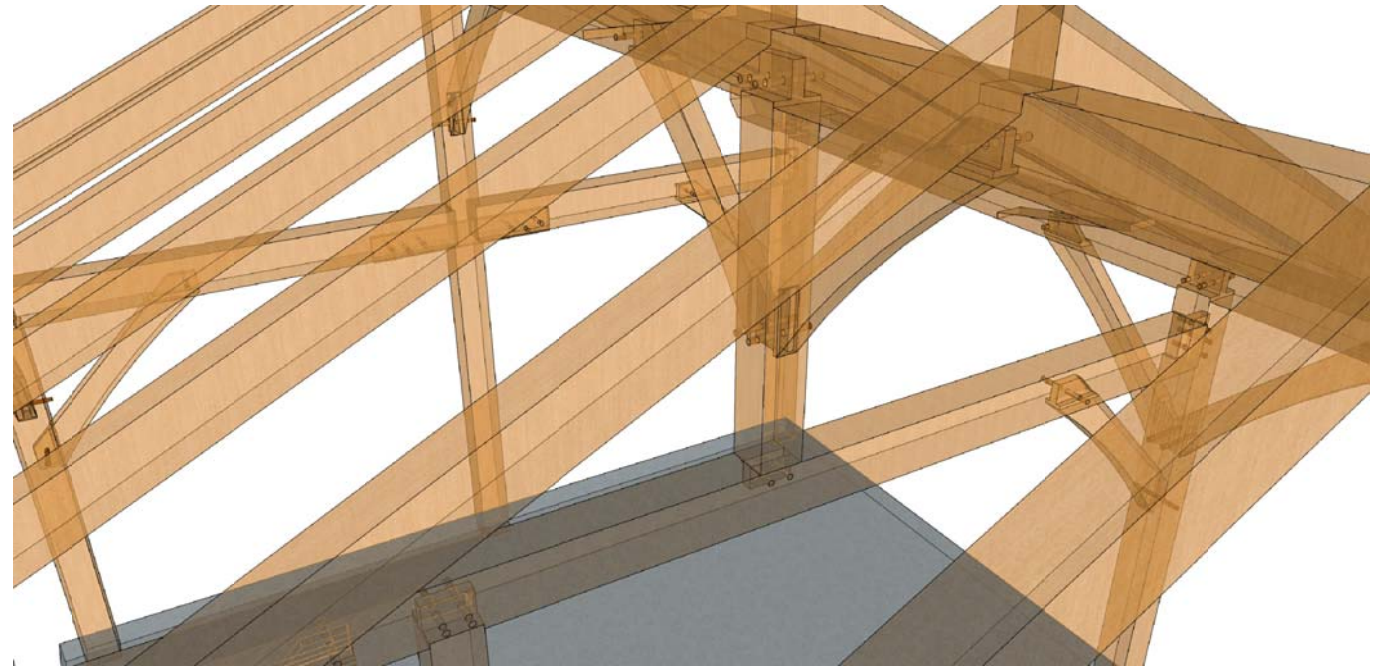
9. TF-3 - FRONT ELEVATION
10. TF-4 - RIGHT SIDE ELEVATION
11. TF-5 - REAR ELEVATION
12. TF-6 - LEFT SIDE ELEVATION
13. TF-7 - SECTION VIEW
14. TF-8 - SECTION VIEW
15. TF-9 - ROOF PITCH OPTIONS
16. TF-10 - ROOF PITCH OPTIONS
17. TF-11 - ROOF PITCH OPTIONS
18. PD-1 - GRID LINE 1 POST
19. PD-2 - GRID LINE 2 POST
20. PD-3 - GRID LINE 3 POST

21. PD-4 - POST
22. PD-5 - GRID LINE 2 KING POST
23. PD-6 - GRID LINE 3 KING POST
24. PD-7 - B-1 POST
25. PD-8 - GRID LINE 1 TIE BEAM
26. PD-9 - GRID LINE 1 TIE BEAM
27. PD-10 - GRID LINE 2 TIE BEAM
28. PD-11 - GRID LINE 3 TIE BEAM
29. PD-12 - RAFTER
30. PD-13 - KNEE BRACE A AND B
31. PD-14 - PLATE/RIDGE
32. PD-15 - PLATE/RIDGE









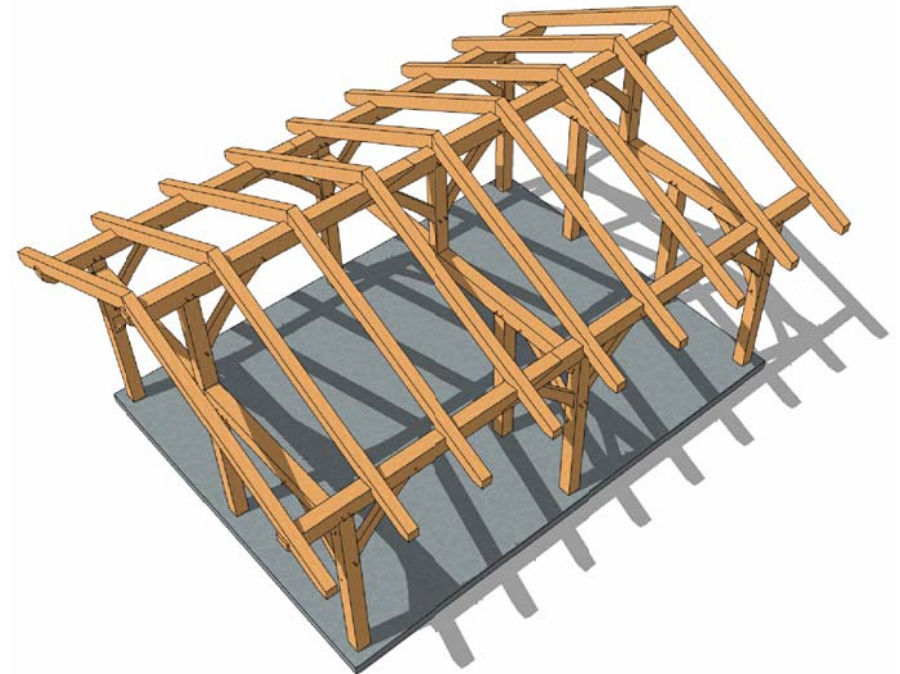
GENERAL NOTES:

1. THE CONTRACTOR AND EACH SUBCONTRACTOR SHALL BE REQUIRED TO CHECK AND VERIFY THAT THE PLANS CONFORM WITH ALL REQUIREMENTS AND LOCAL BUILDING CODES, AND MANUFACTURER'S RECOMMENDATIONS PRIOR TO SIGNING CONTRACT OR BEGINNING WORK.
2. THE DRAWINGS ARE DIAGRAMMATIC, INTENDED TO OUTLINE GENERAL REQUIREMENTS ONLY, AND NOT INTENDED TO BE COMPLETE IN ALL DETAILS. SPECIFIC IMPLEMENTATION OF THE PLANS SHALL BE THE RESPONSIBILITY OF THE CONTRACTOR WHO REPRESENTS HE/SHE HAS THE SKILL AND EXPERT KNOWLEDGE TO EXECUTE THE WORK REQUIRED.
3. THE CONTRACTOR AND EACH SUBCONTRACTOR SHALL VERIFY DIMENSIONS AND DETAILS SHOWN ON THE DRAWINGS BEFORE LAYING OUT OR PROCEEDING WITH WORK AND SHALL BE HELD RESPONSIBLE FOR ANY ERROR RESULTING FROM HIS/HER FAILURE TO EXERCISE SUCH VERIFICATION.
5. TIMBER FRAME HQ ASSUMES NO RESPONSIBILITY FOR ANY CHANGES OR MODIFICATIONS THAT MAY BE MADE TO THE PLANS BY THE OWNER OR THE OWNER'S CONTRACTOR OR SUBCONTRACTOR.
6. THESE ARE "DESIGN ONLY" PLANS AND ARE NOT ENGINEERED PLANS. IT IS THE SOLE AND EXCLUSIVE RESPONSIBILITY OF THE OWNER AND THE OWNER'S CONTRACTOR OR SUBCONTRACTOR'S TO DETERMINE IF ENGINEERED PLANS ARE NECESSARY PURSUANT TO LOCAL OR STATE CODE REQUIREMENTS AND WHETHER STATE OR LOCAL BUILDING CODE REQUIREMENTS REQUIRE MODIFICATIONS OF MATERIALS OR STRUCTURAL SPECIFICATIONS ON THESE PLANS. TIMBER FRAME HQ ASSUMES NO RESPONSIBILITY AND DOES NOT WARRANTY THAT THESE PLANS SATISFY THE REQUIREMENTS OF STATE AND/OR LOCAL BUILDING CODES.

PLEASE NOTE:

- IN THE TIMBER LIST, WE ADD SOME LENGTH TO ACCOMMODATE TWO THINGS.
- 1- YOU CAN END UP WITH A ROUGH TIMBER THAT IS TOO SHORT FOR WHAT YOU NEED IN YOUR ORDER.
 - 2- THE EXTRA LENGTH ALLOWS YOU TO MOVE THE FINAL PIECE UP OR DOWN ON THE TIMBER SO THAT YOU DON'T END UP WITH A KNOT OR OTHER DEFECT WHERE THE JOINERY WILL BE. THIS MAKES IT EASIER/MORE ENJOYABLE TO CUT.

FOR CONCRETE TO POST CONNECTION SEE:
<https://timberframehq.com/construction-details/masonryconcrete-to-timber/>

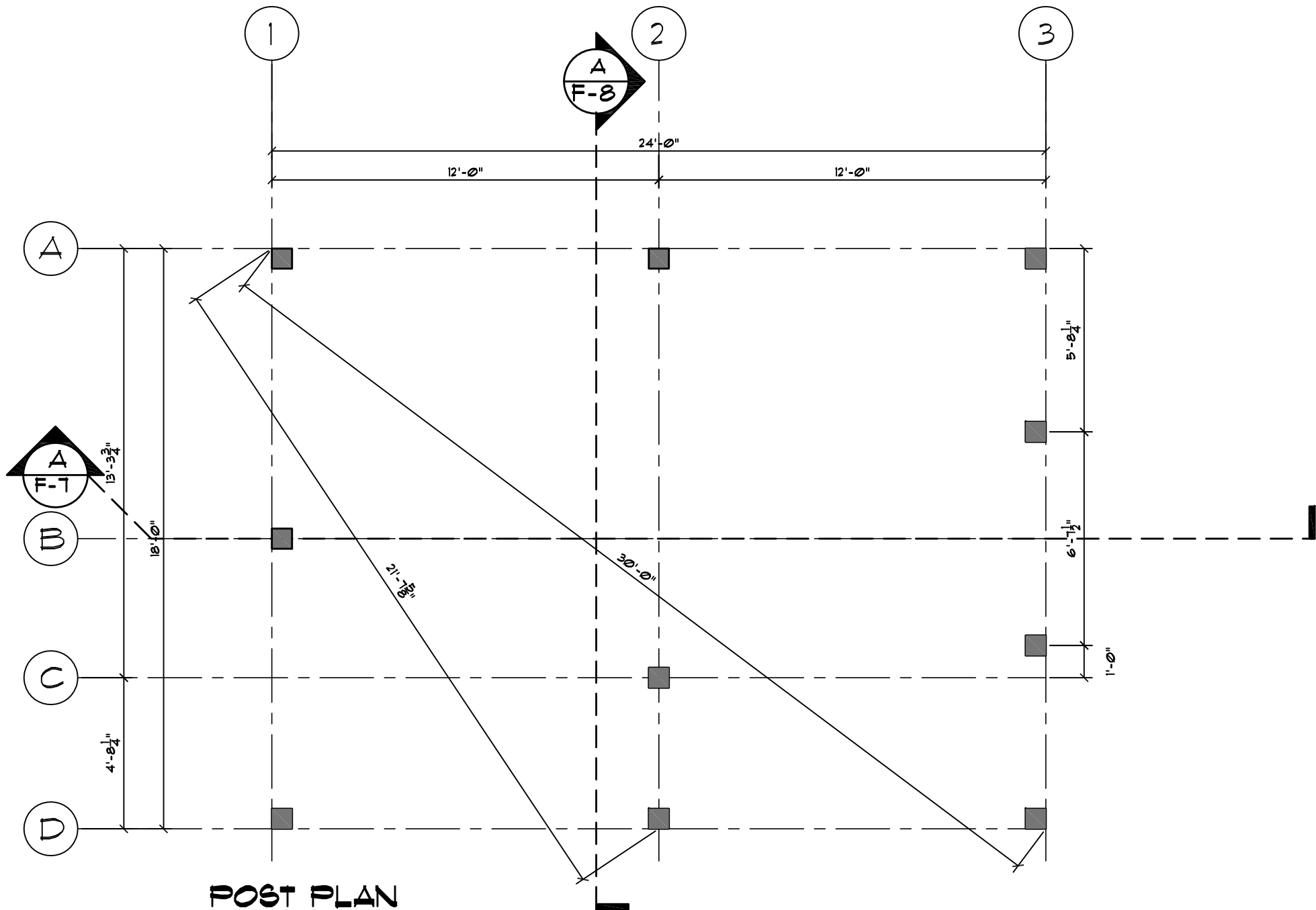


Timber List

Type	Qty.	Act. Width	Act. Height	Act. Length	Nom. Width	Nom. Height	Nom. Length	Board Footage	Total Board Footage	Total Linear Feet
Post	6	7 1/2"	7 1/2"	9'-4 1/8"	8	8	10	53.33	320.00	60
Post	3	7 1/2"	7 1/2"	8'-0 5/8"	8	8	10	53.33	160.00	30
Post	1	7 1/2"	7 1/2"	13'-6 3/8"	8	8	16	85.33	85.33	16
King Post	3	7 1/2"	7 1/2"	5'-5"	8	8	8	42.67	128.00	24
Bent Girt	2	7 1/2"	9 1/2"	8'-7 1/2"	8	10	12	80.00	160.00	24
Bent Girt	2	7 1/2"	9 1/2"	17'-8 1/2"	8	10	20	133.33	266.67	40
Rafter	18	5 1/2"	7 1/2"	12'-5 15/16"	6	8	14	56.00	1008.00	252
Knee Brace	18	3 1/2"	7 1/2"	4'-9" +/-	4	8	6	16.00	288.00	108
Plate/Ridge	3	7 1/2"	9 1/2"	18'-5 7/16"	8	10	20	133.33	400.00	60
Plate/Ridge	3	7 1/2"	9 1/2"	12'-8 9/16"	8	10	14	93.33	280.00	42
Totals	59								3096.00	656

Fastener Schedule

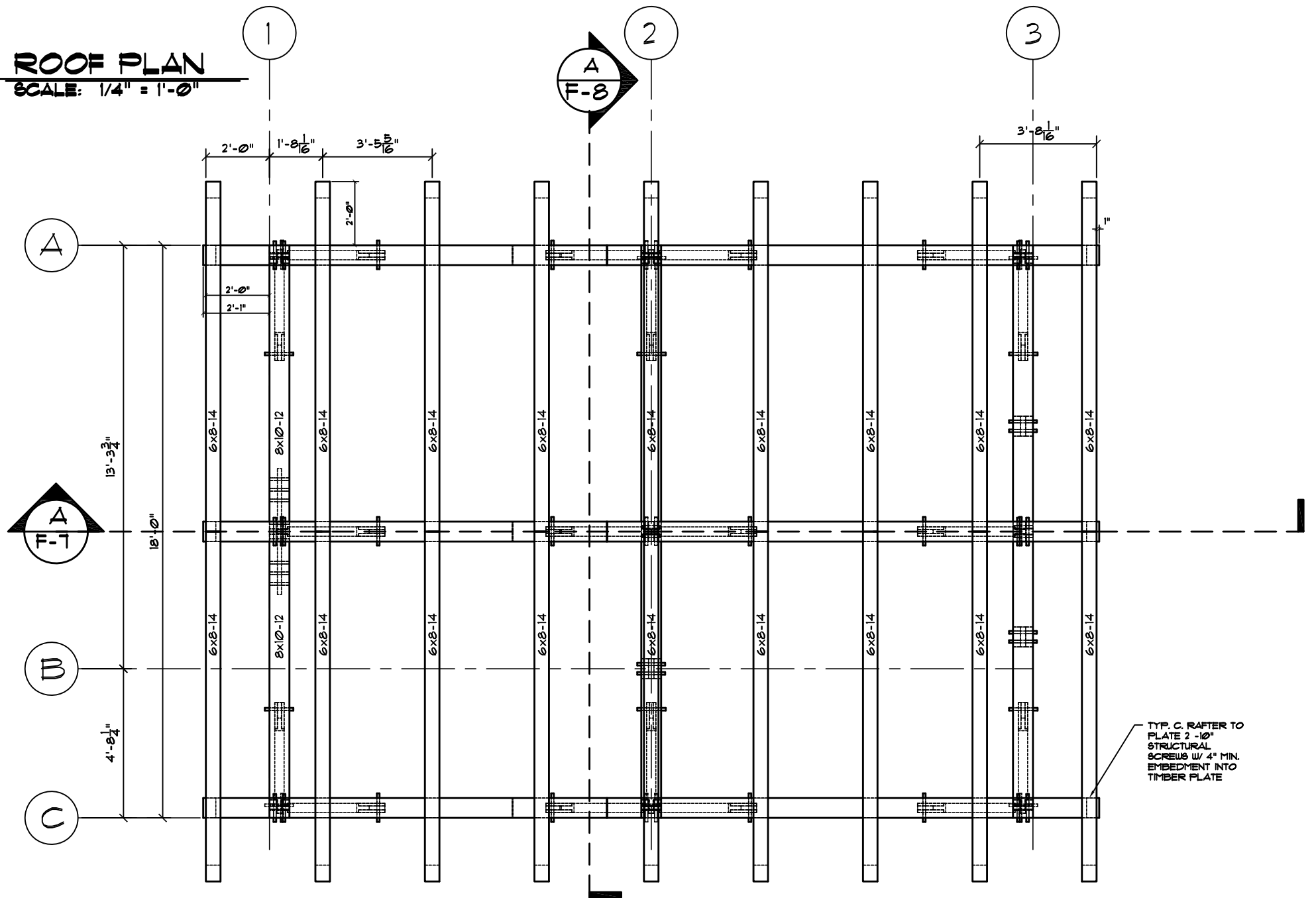
Type	Quantity
Rothoblaas TBS EVO 8mm x 220mm (Rafters)	72
Rothoblaas TBS EVO 8mm x 200mm (Scarf Joints)	18
1"x10" White Oak Pegs	87
Post Bases - TBD (See URL in General Notes)	10
Hardwood Spline - 3'-11 1/2" x 6 1/2" x 1 1/2"	1

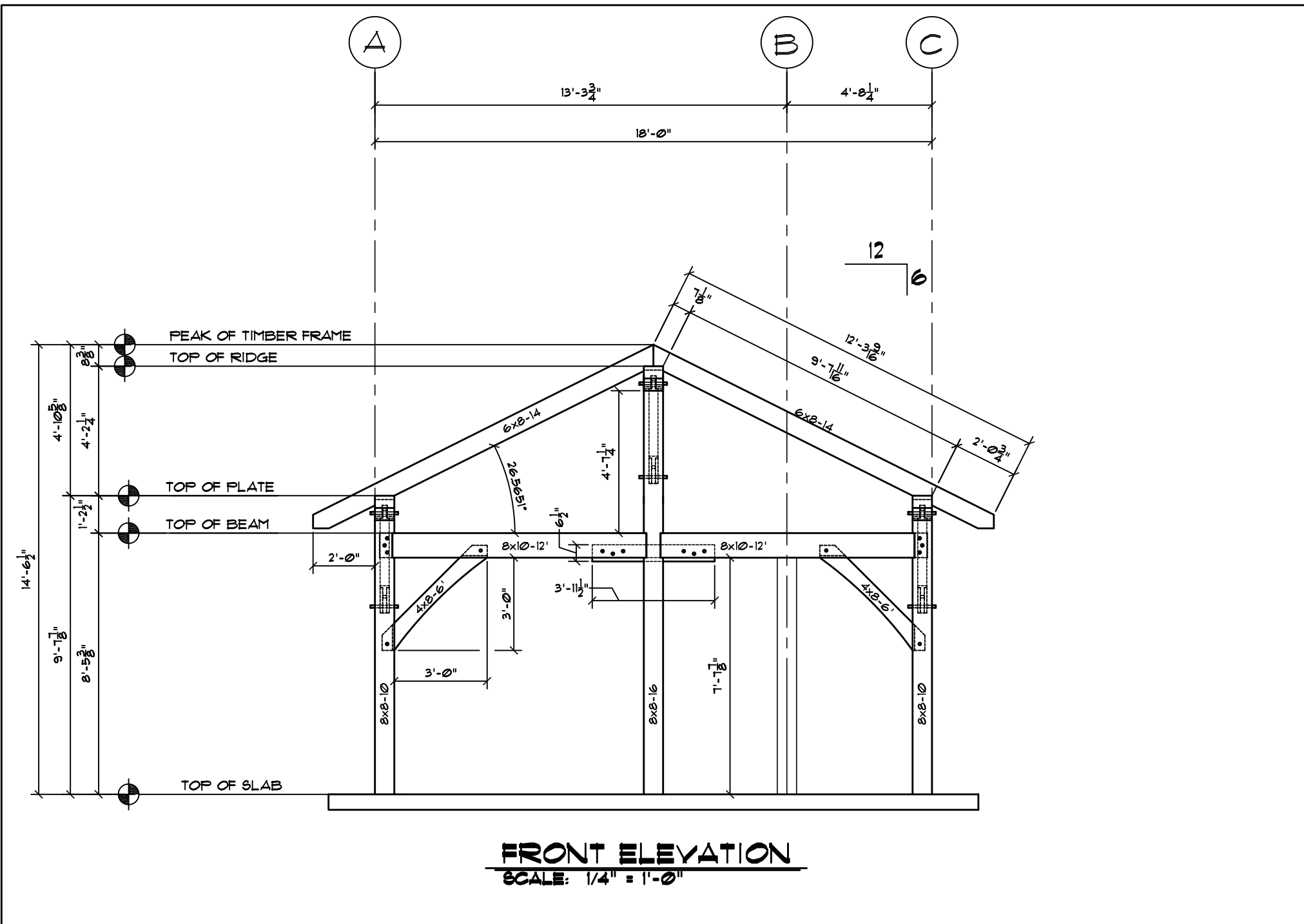


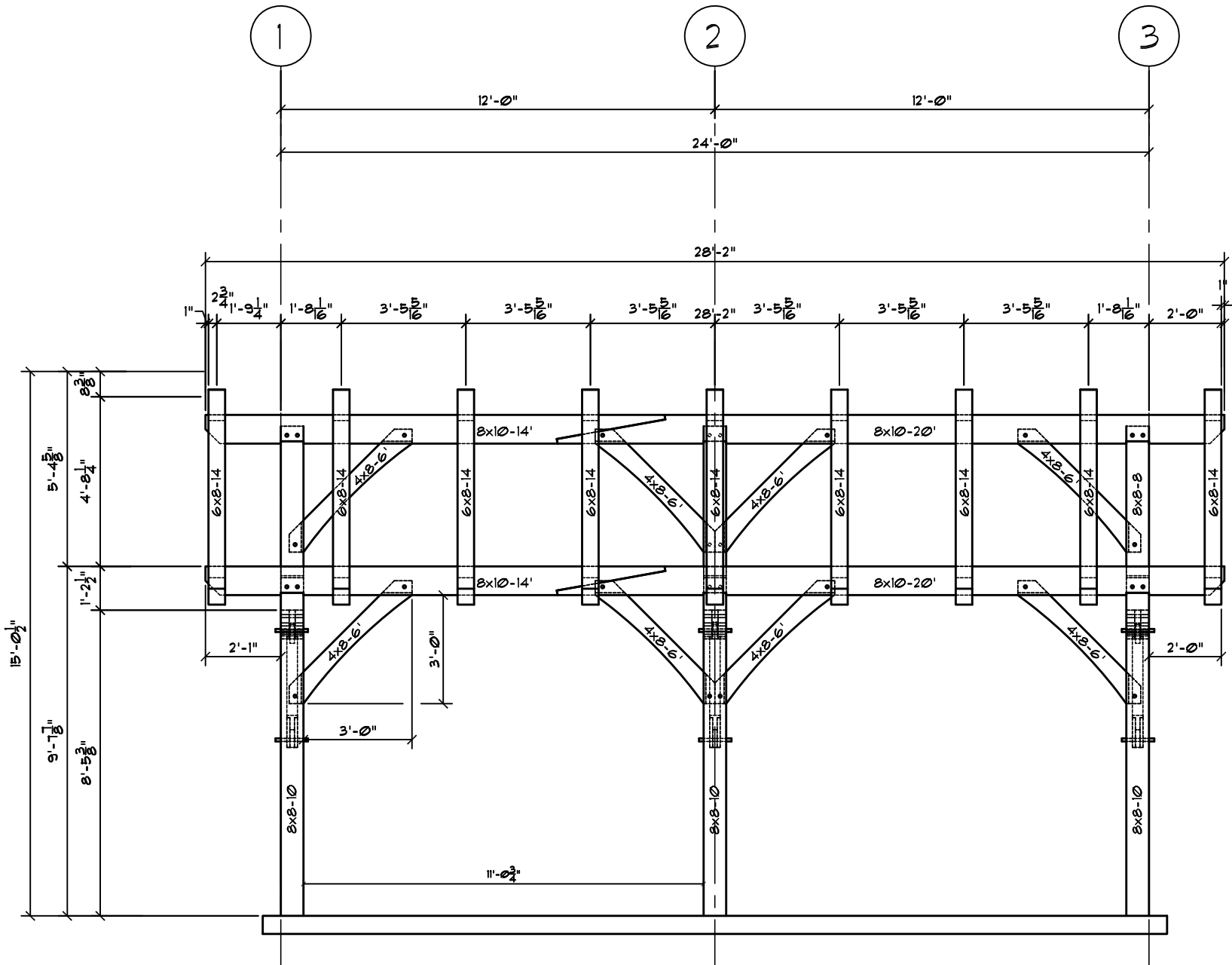
POST PLAN
SCALE: 1/4" = 1'-0"

ROOF PLAN

SCALE: 1/4" = 1'-0"

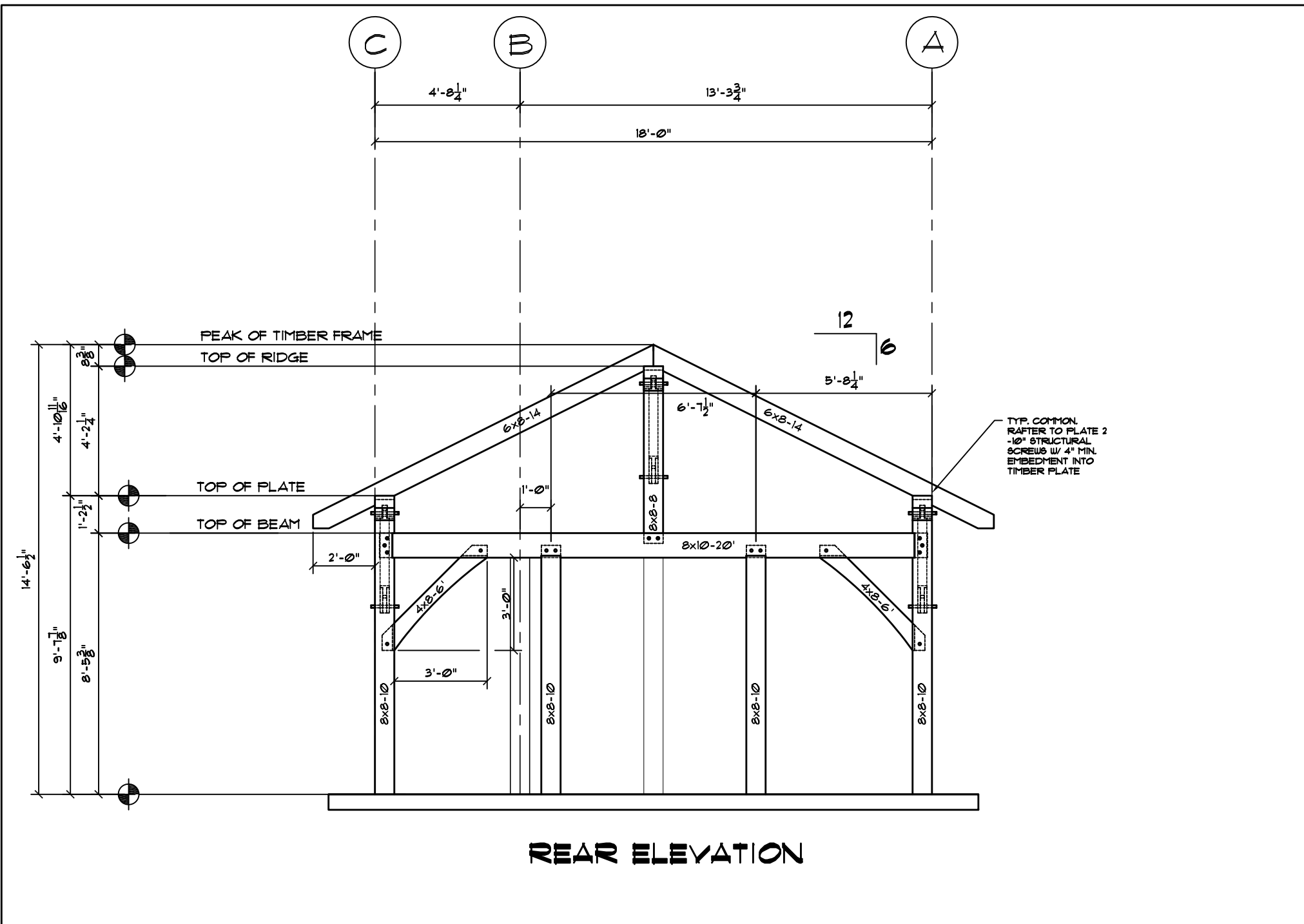


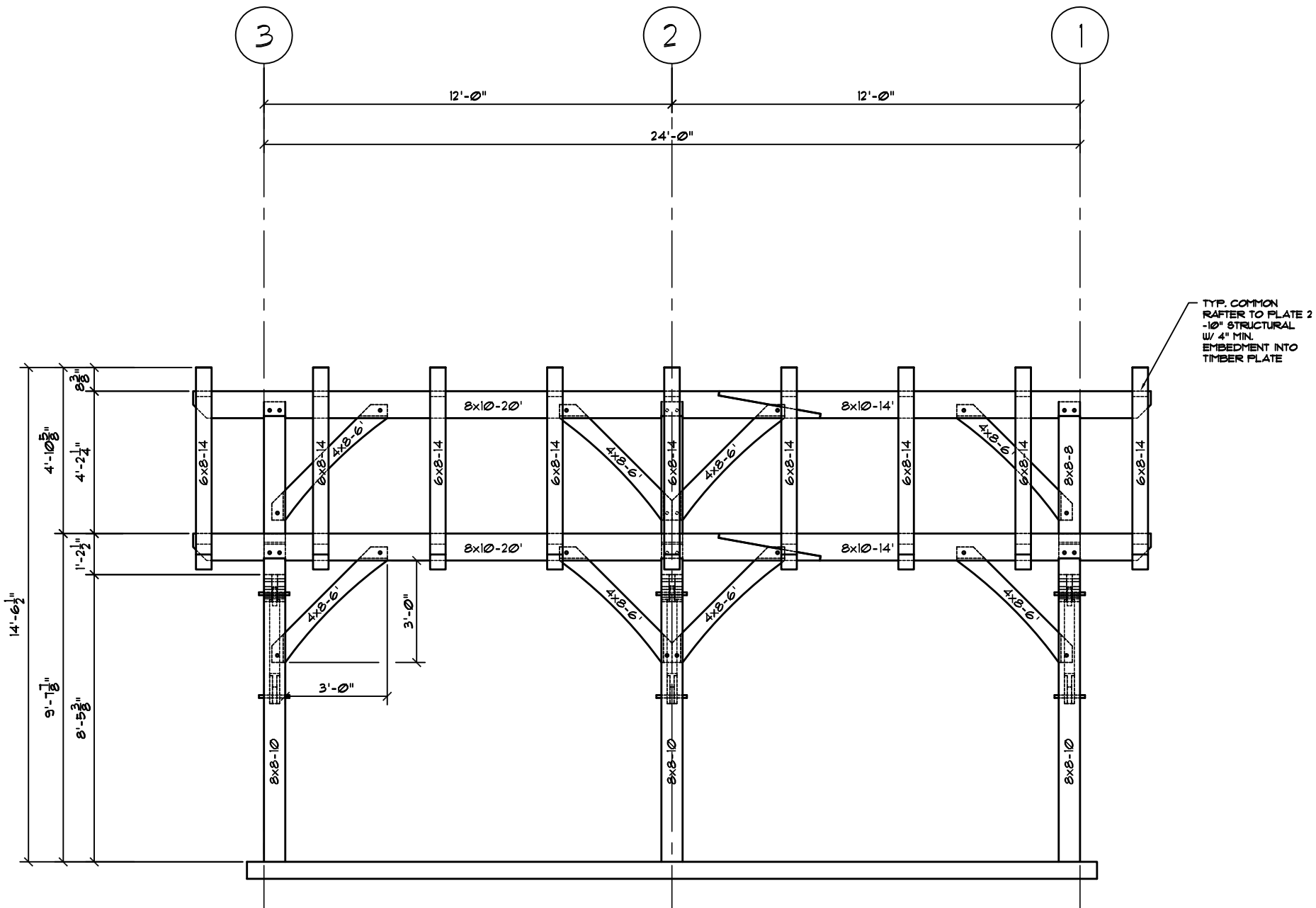




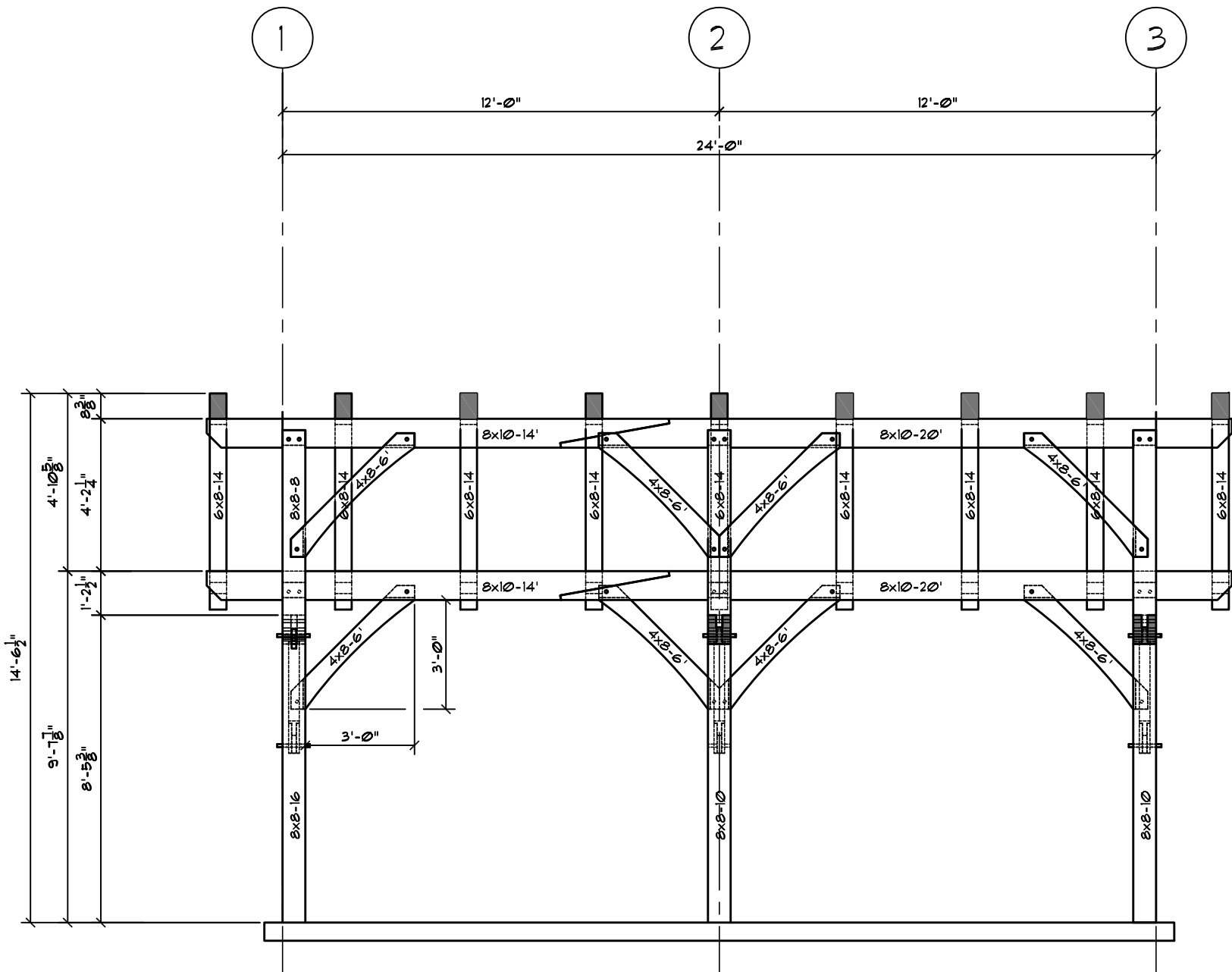
RIGHT ELEVATION

SCALE: 1/4" = 1'-0"

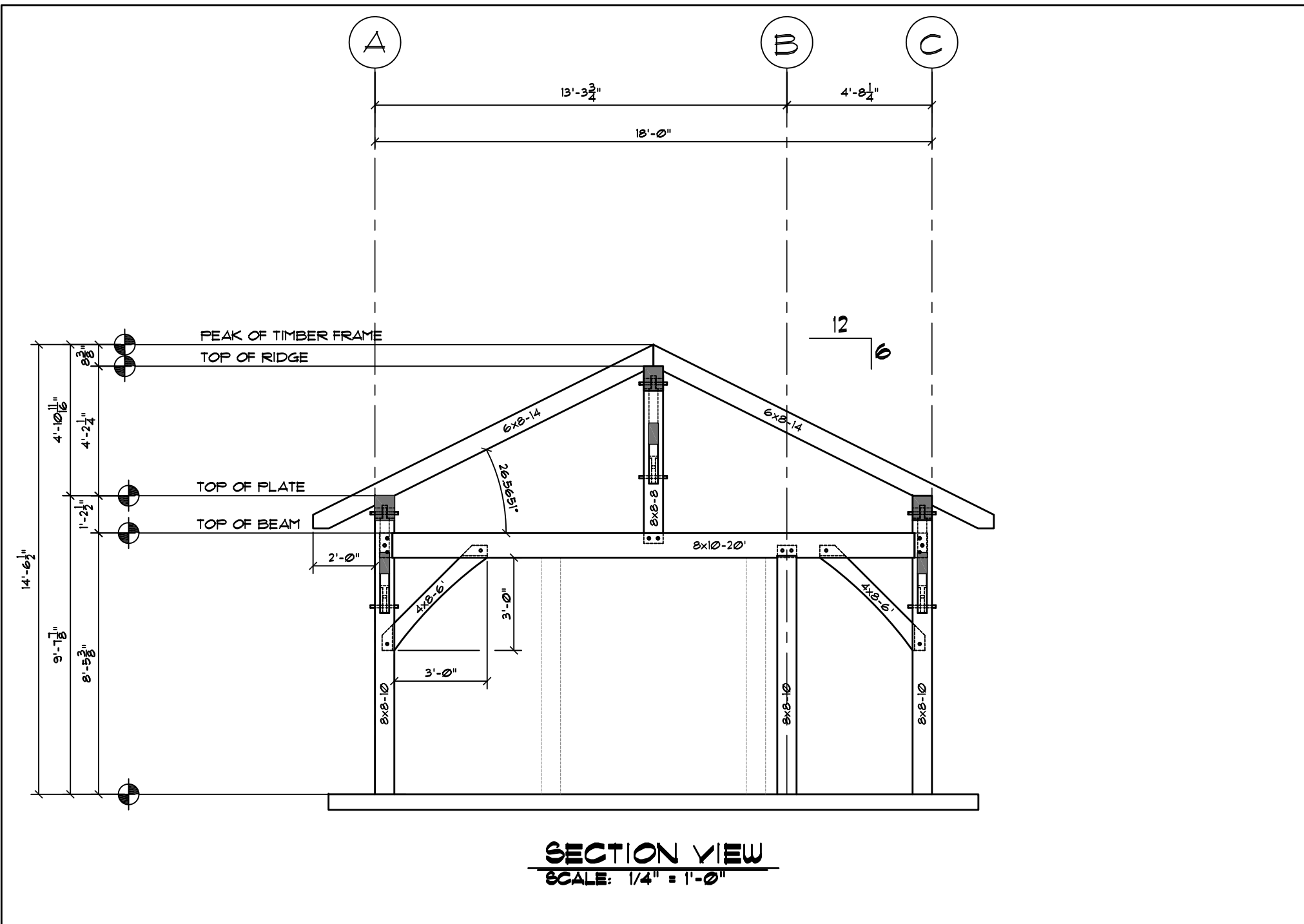




LEFT ELEVATION
SCALE: 1/4" = 1'-0"



SECTION VIEW
 SCALE: 1/4" = 1'-0"



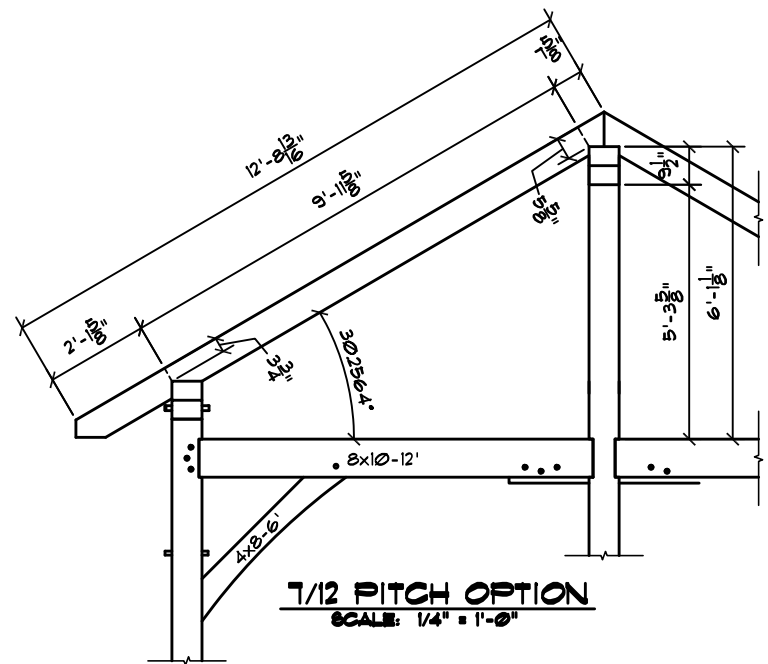
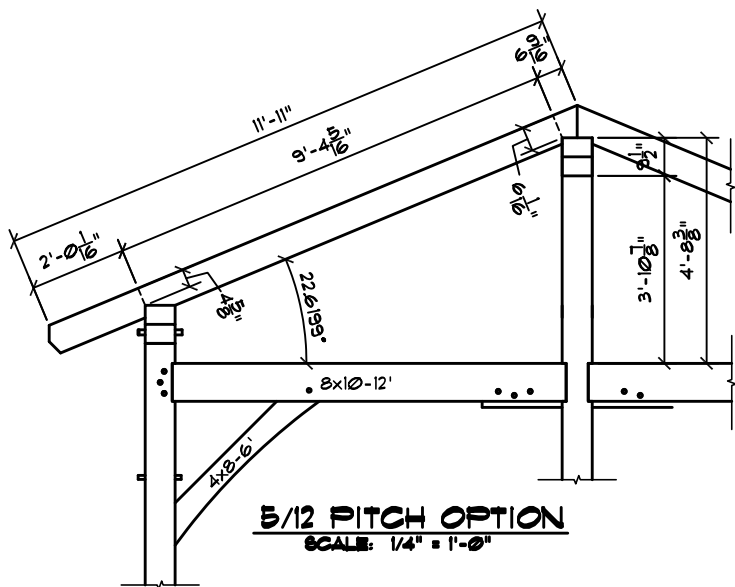
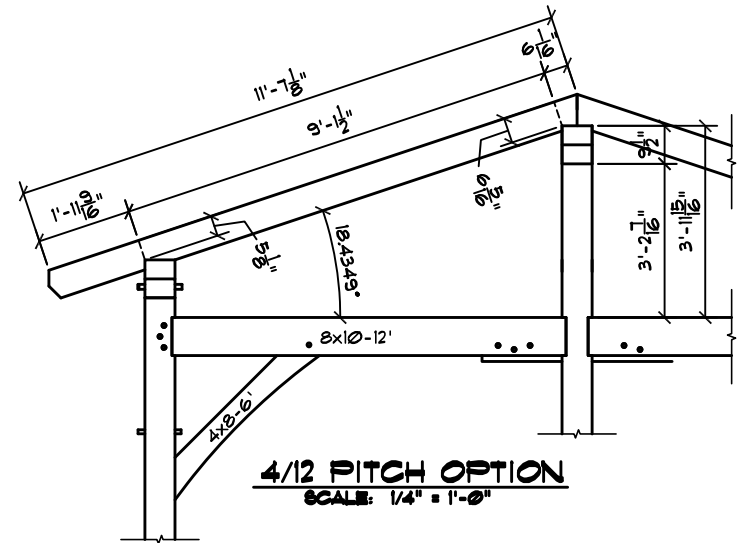
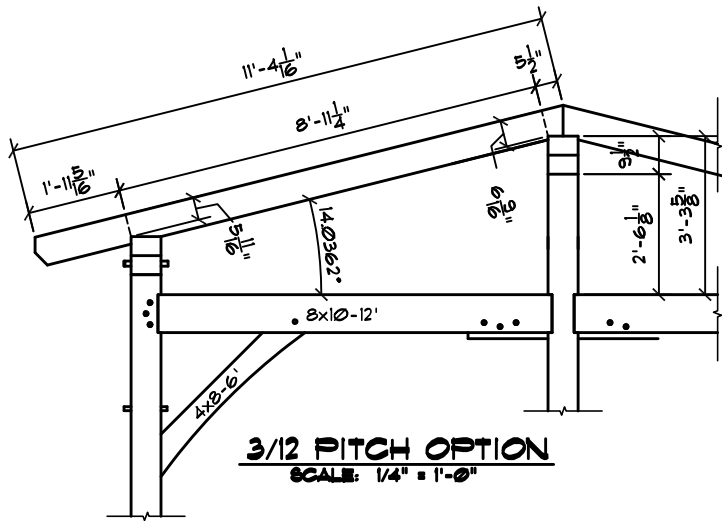
SECTION VIEW
 SCALE: 1/4" = 1'-0"

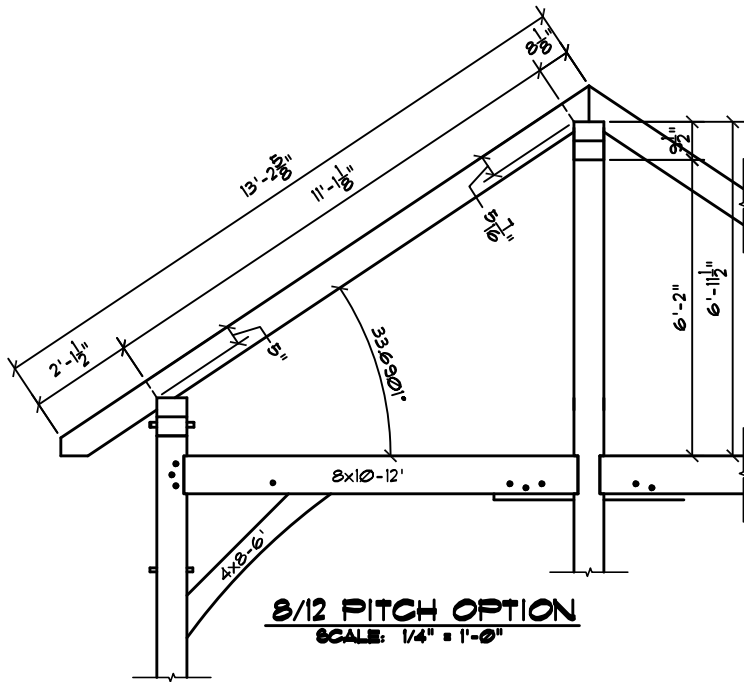
© 2019 Timber Frame HQ, Reproduction and/ or use without written permission is prohibited - These are design only plans and are not engineered plans. TFHQ assumes no responsibility and does not warranty these plans.



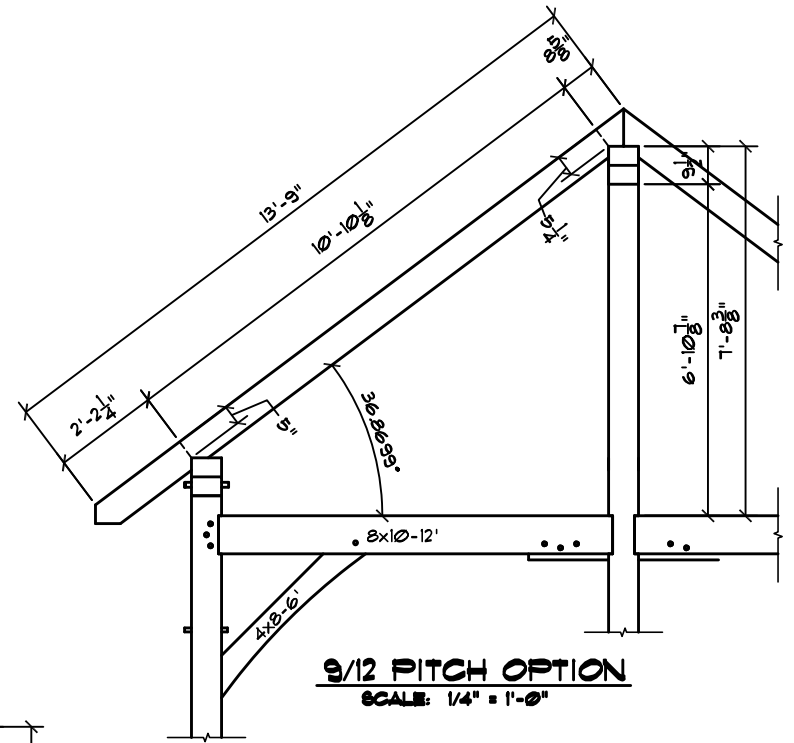
18 x 24 King Post Plan

PAGE #
TF8

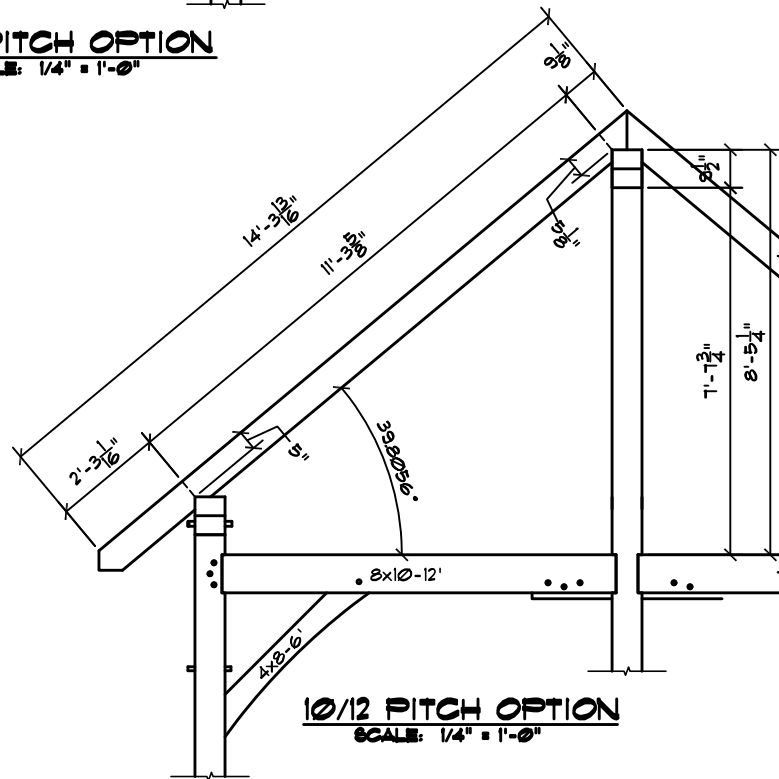




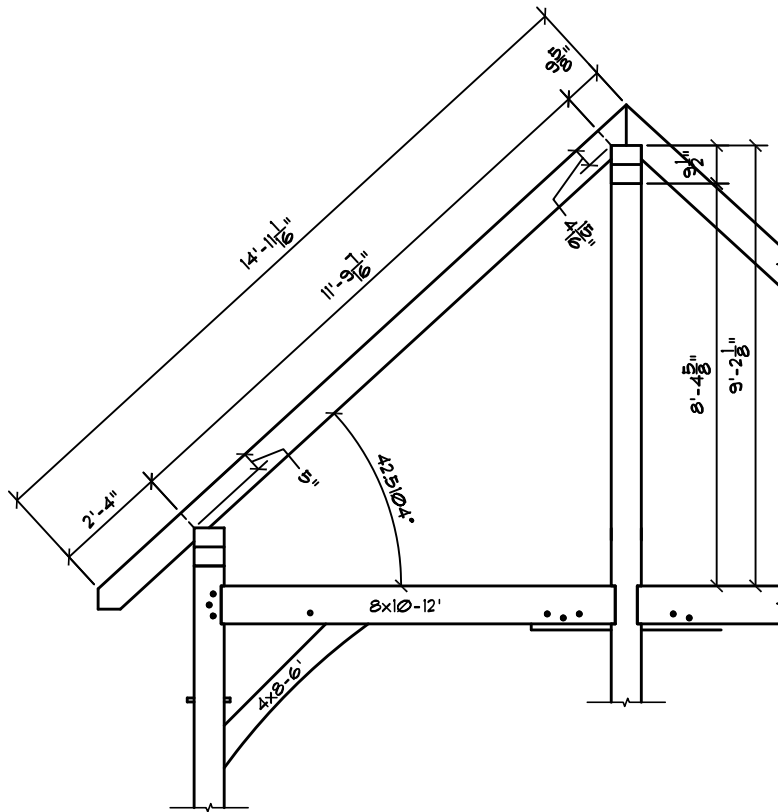
8/12 PITCH OPTION
SCALE: 1/4" = 1'-0"



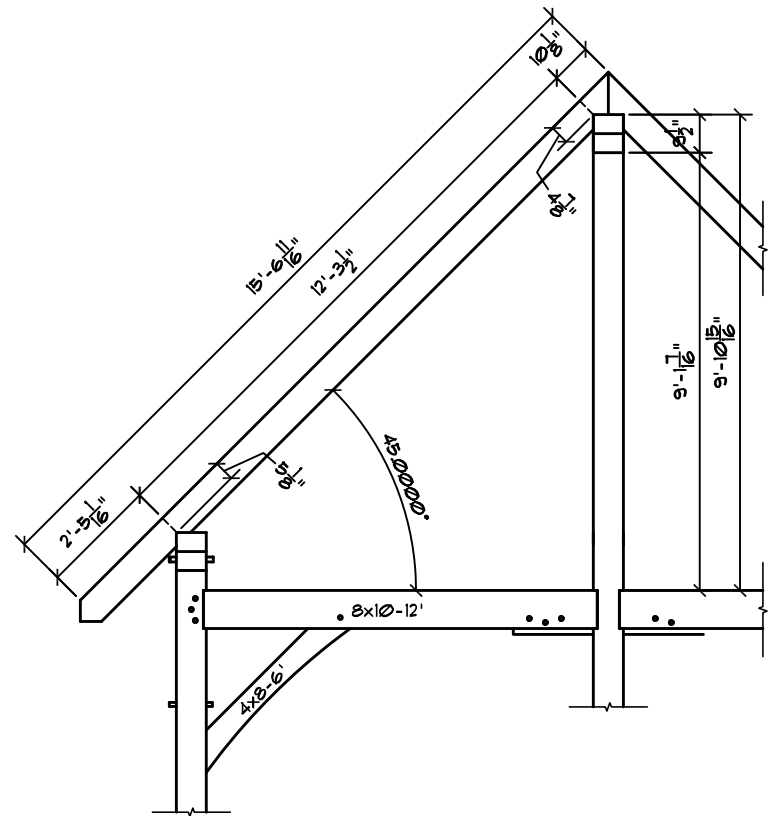
9/12 PITCH OPTION
SCALE: 1/4" = 1'-0"



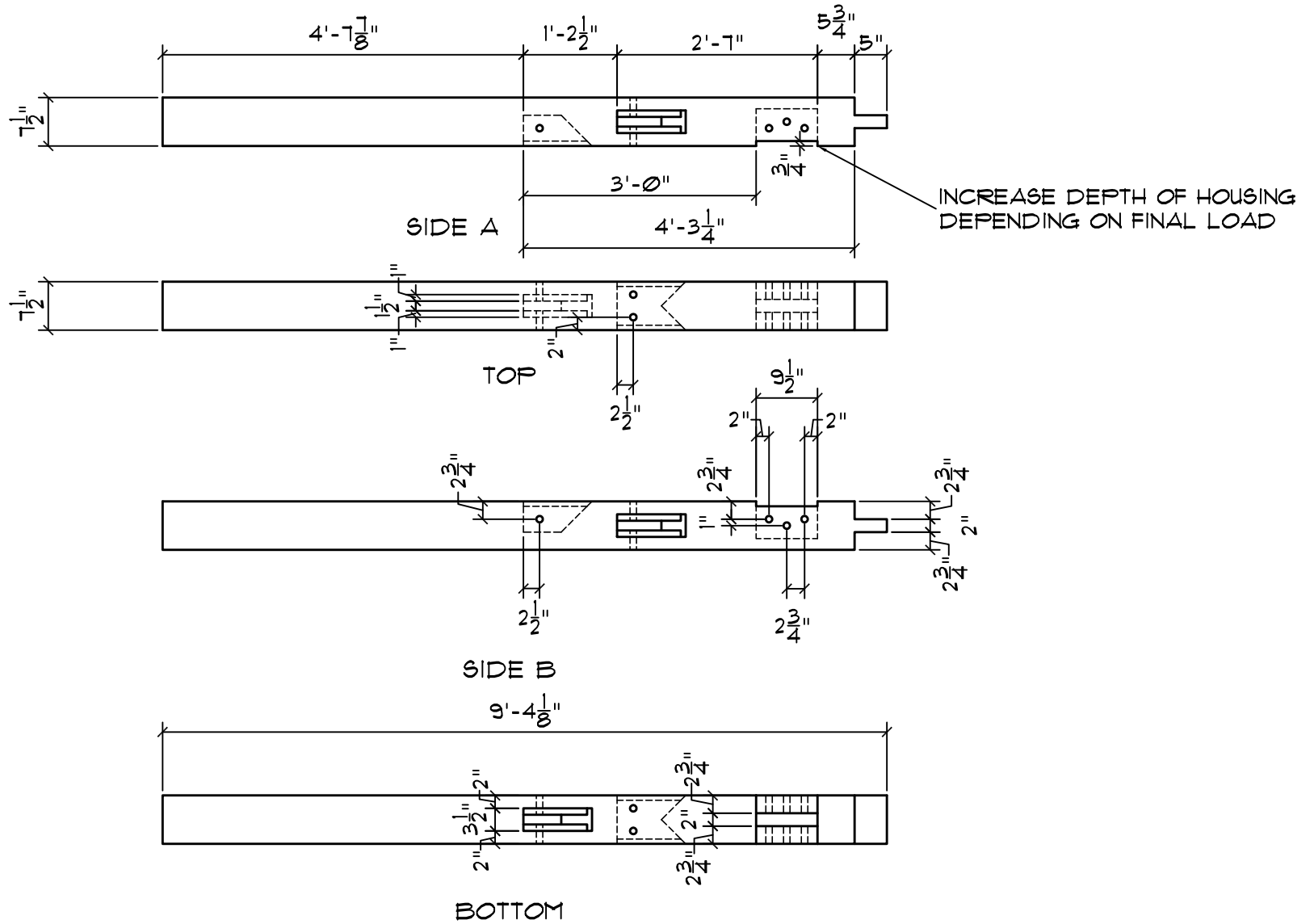
10/12 PITCH OPTION
SCALE: 1/4" = 1'-0"



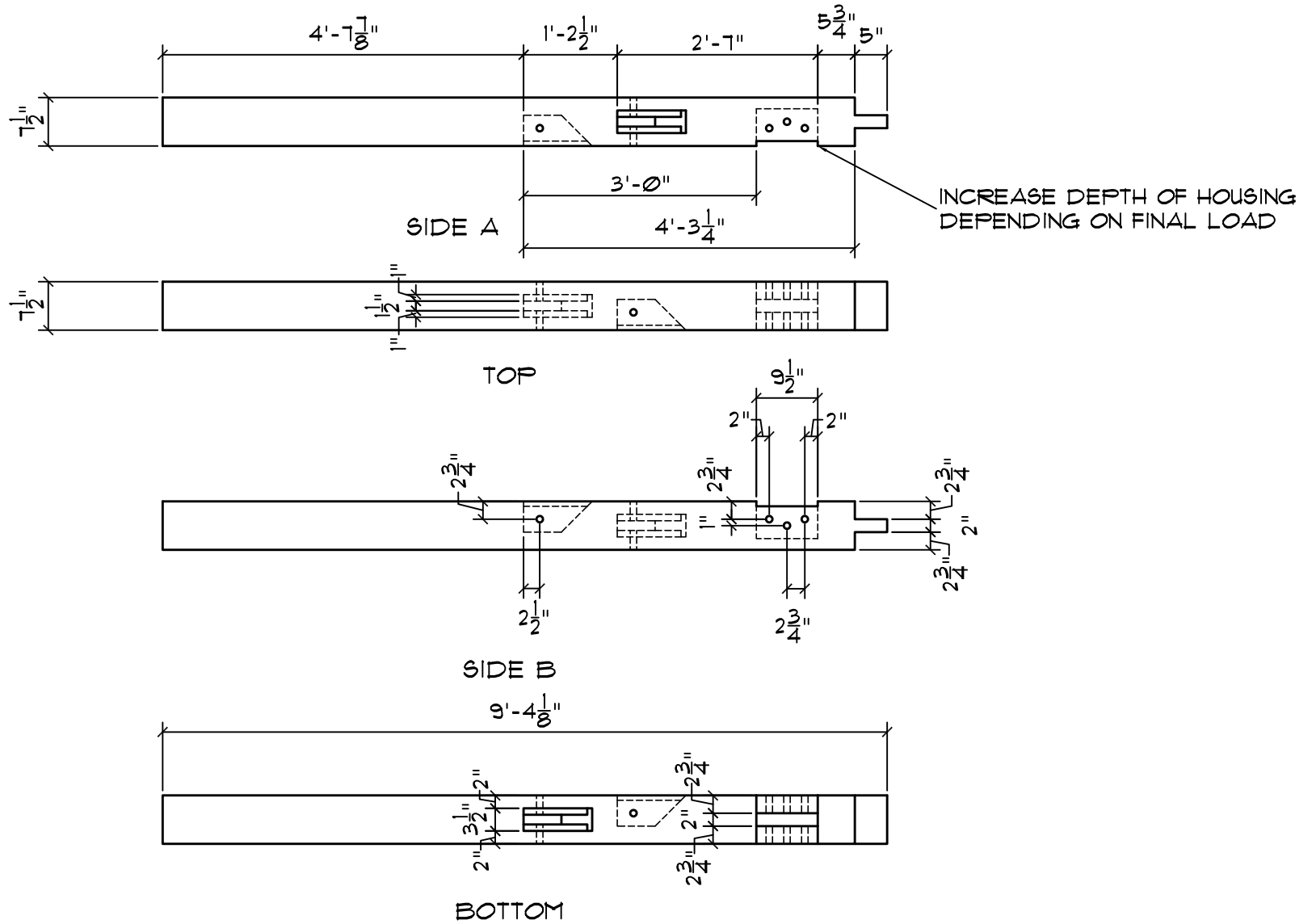
11/12 PITCH OPTION
SCALE: 1/4" = 1'-0"



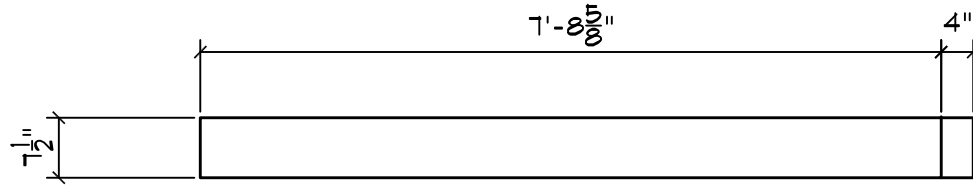
12/12 PITCH OPTION
SCALE: 1/4" = 1'-0"



Grid Line 2 Post
Qty: 2 - One Mirrored



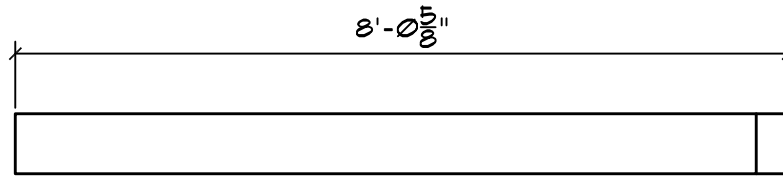
Grid Line 3 Post
Qty: 2 - One Mirrored



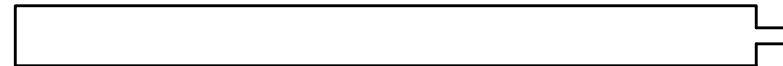
SIDE A



TOP

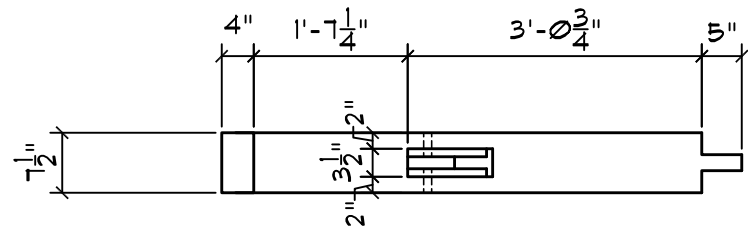


SIDE B

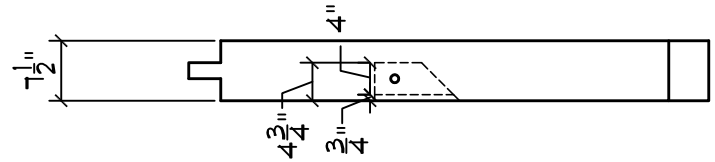


BOTTOM

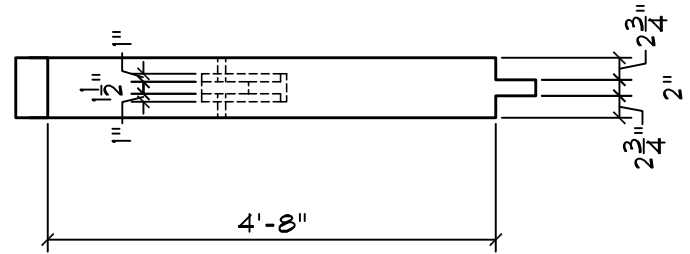
POST
Qty: 3



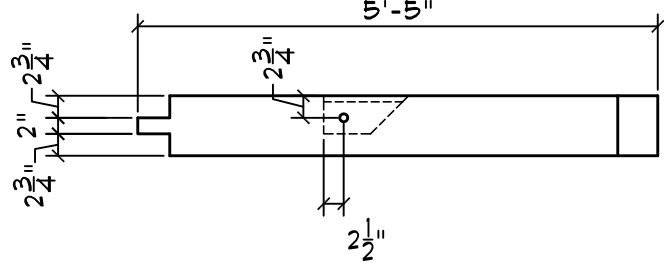
SIDE A



TOP

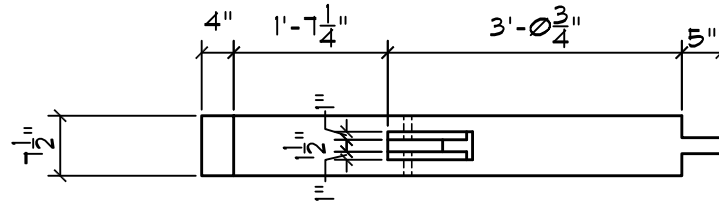


SIDE B

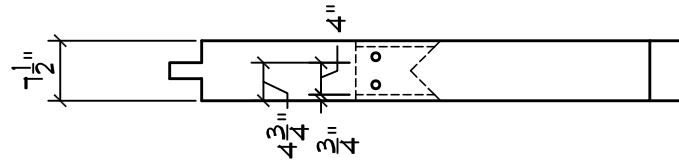


BOTTOM

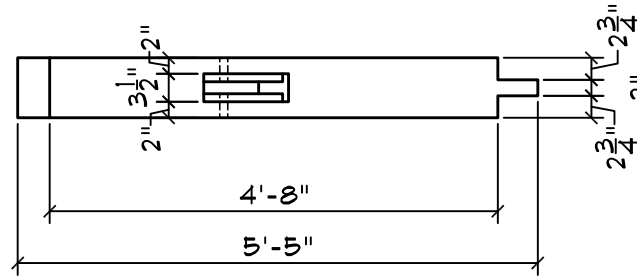
Grid Line 3 King Post
Qty: 1



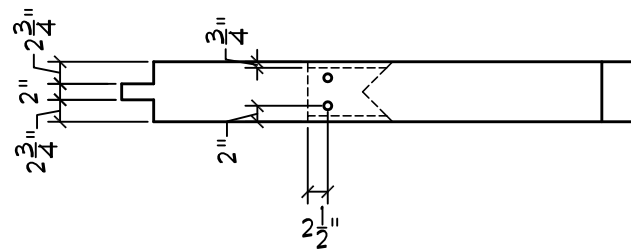
SIDE A



TOP

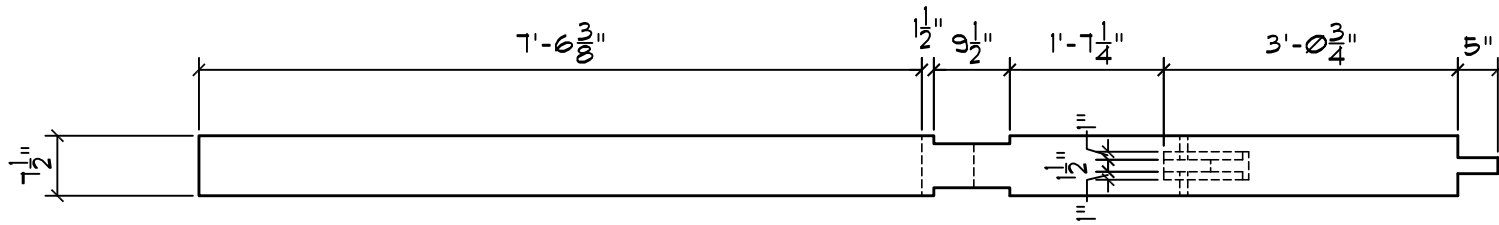


SIDE B

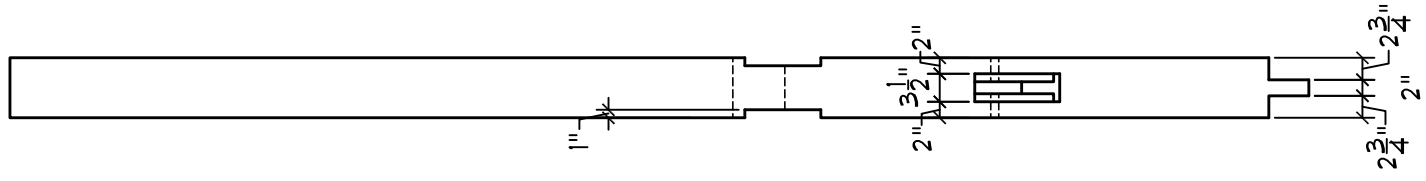
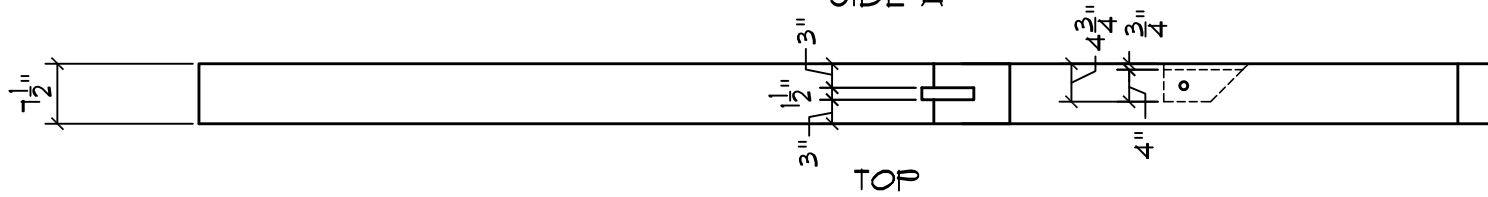


BOTTOM

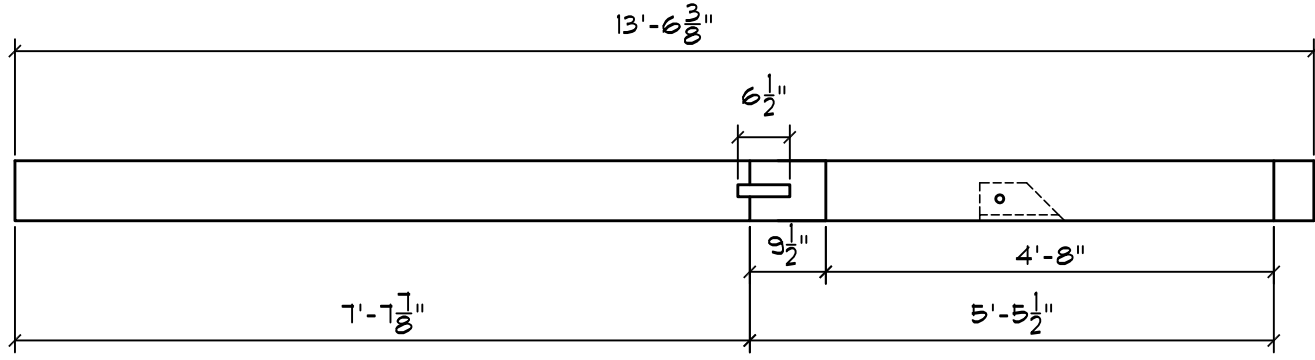
Grid Line 2 King Post
Qty: 1



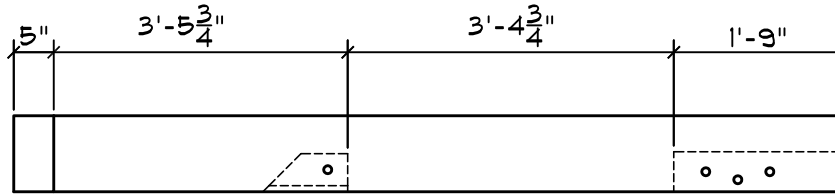
SIDE A



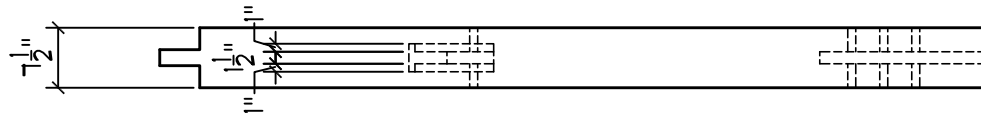
SIDE B



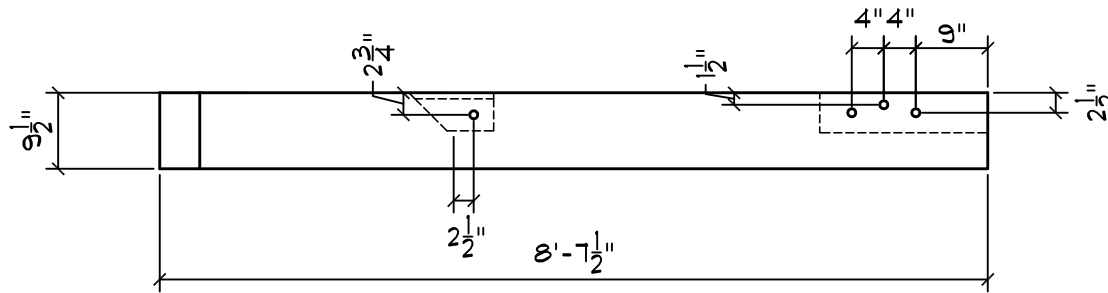
POST B-1
Qty: 1



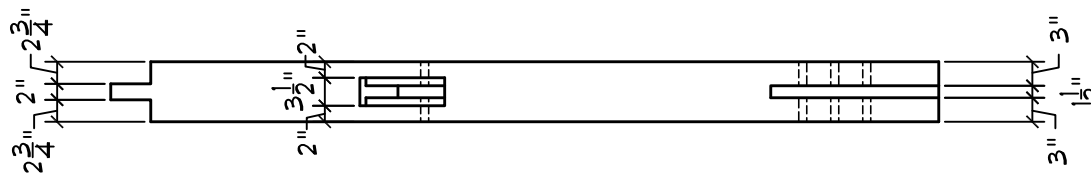
SIDE A



TOP

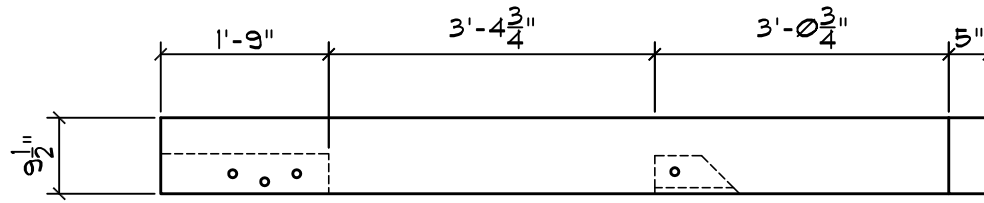


SIDE B

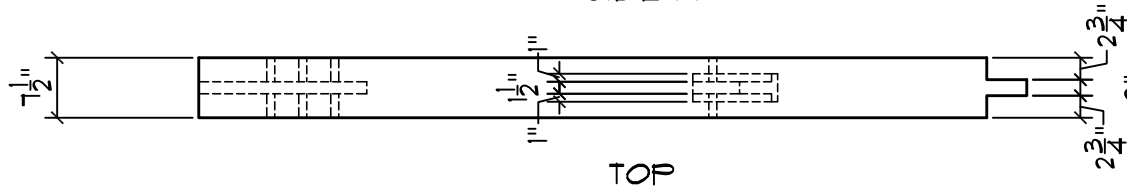


BOTTOM

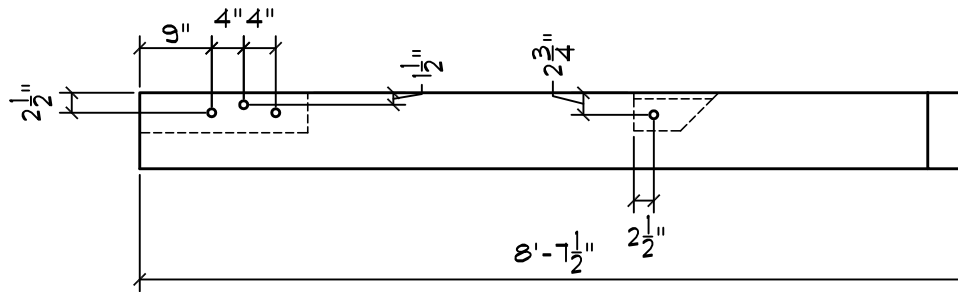
Grid Line 1 Tie Beam
Qty: 1



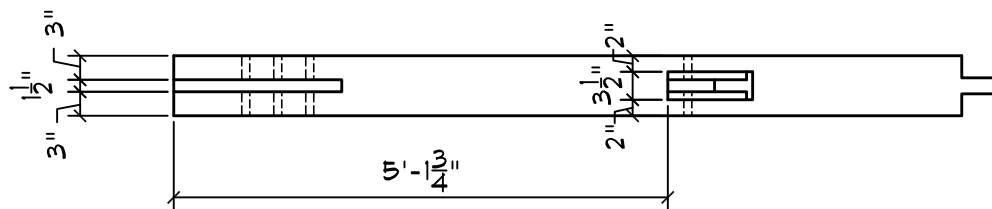
SIDE A



TOP

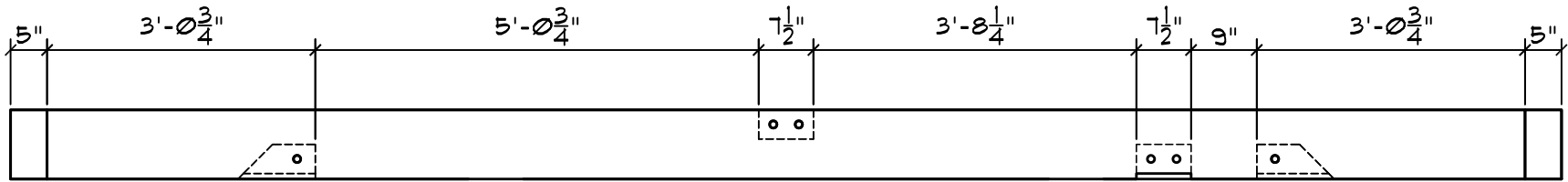


SIDE B

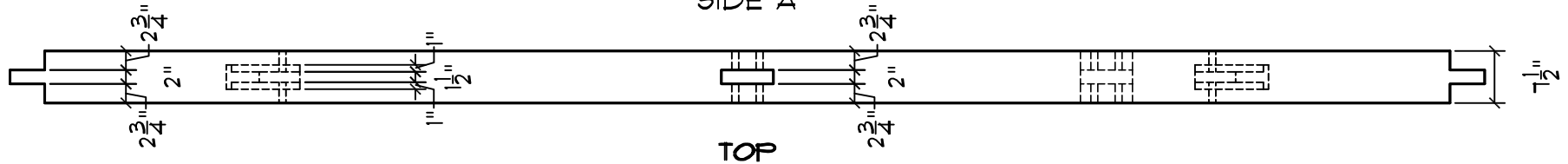


BOTTOM

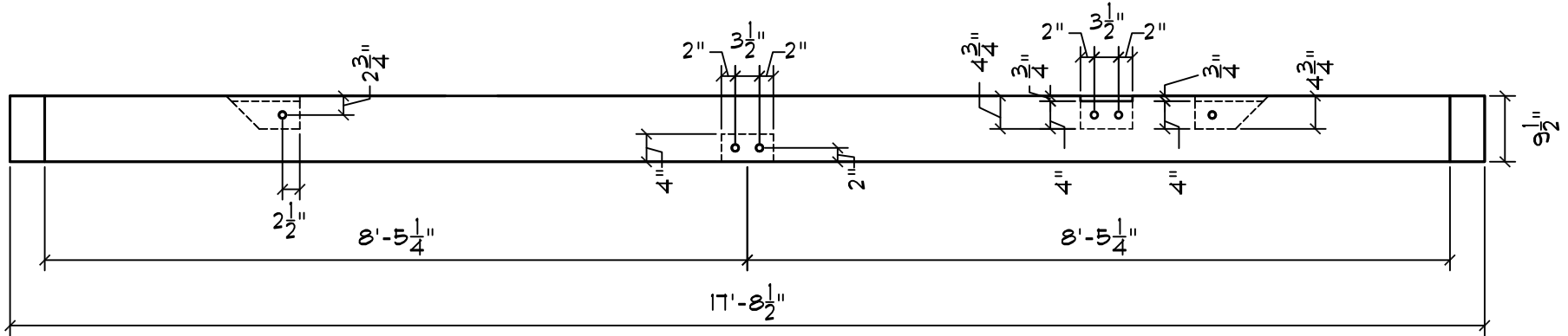
Grid Line 1 Tie Beam
Qty: 1



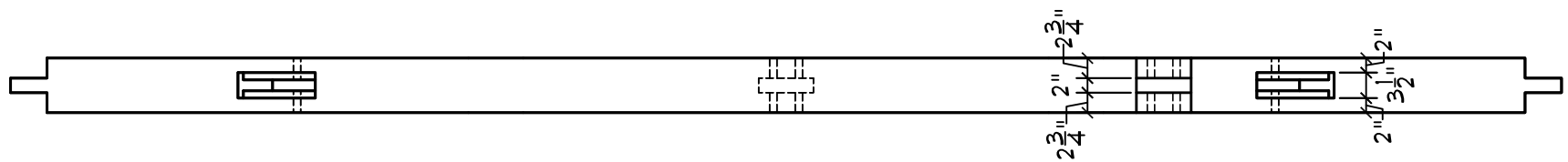
SIDE A



TOP

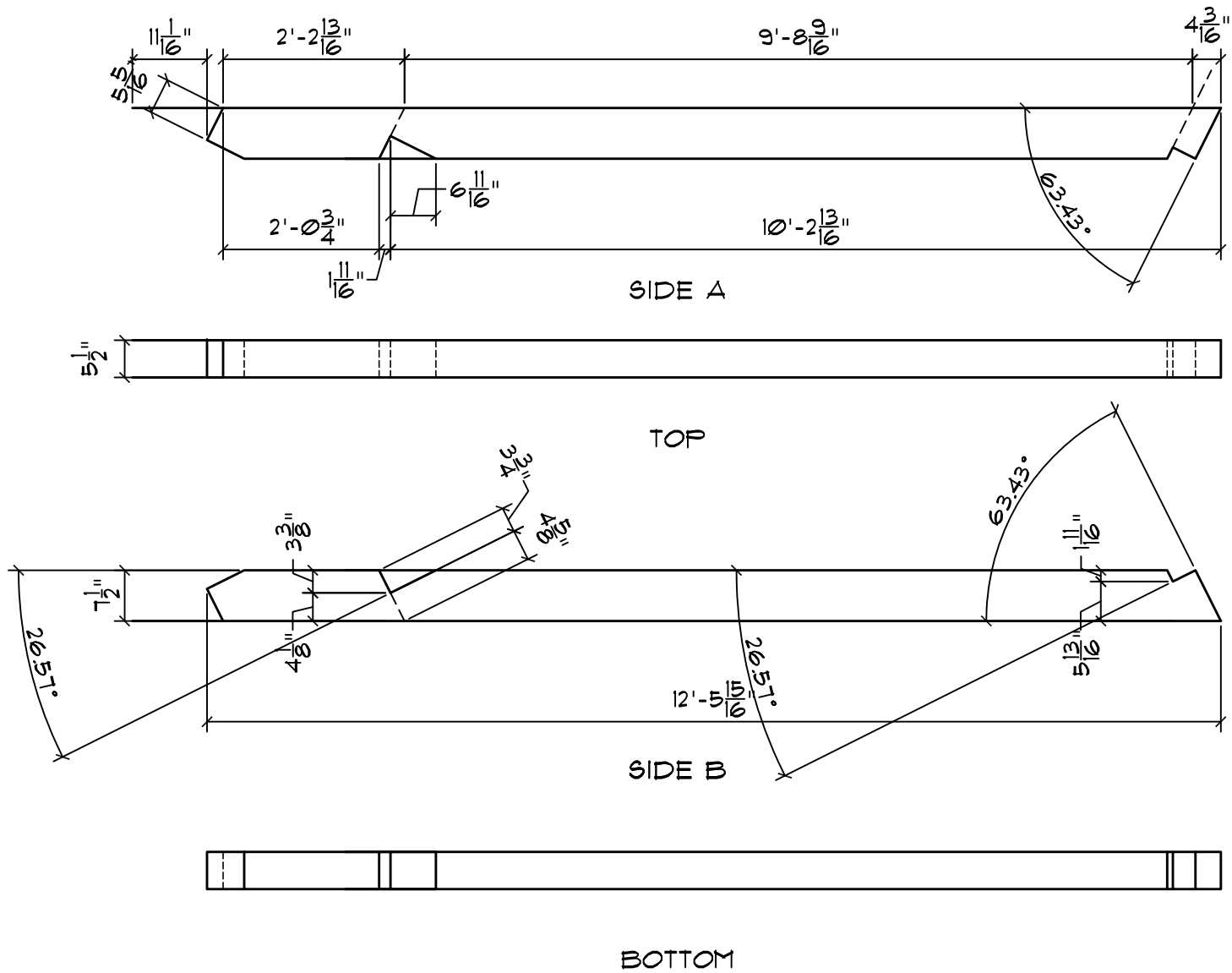


SIDE B

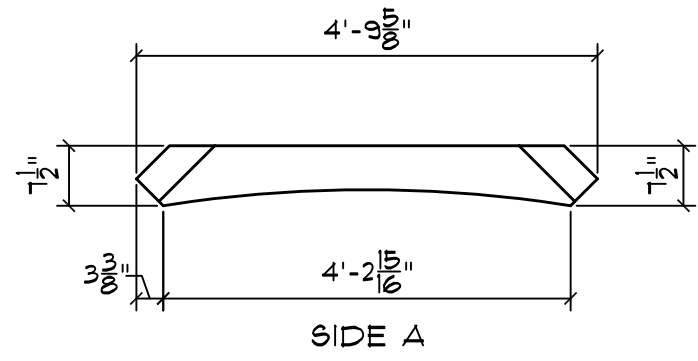


BOTTOM

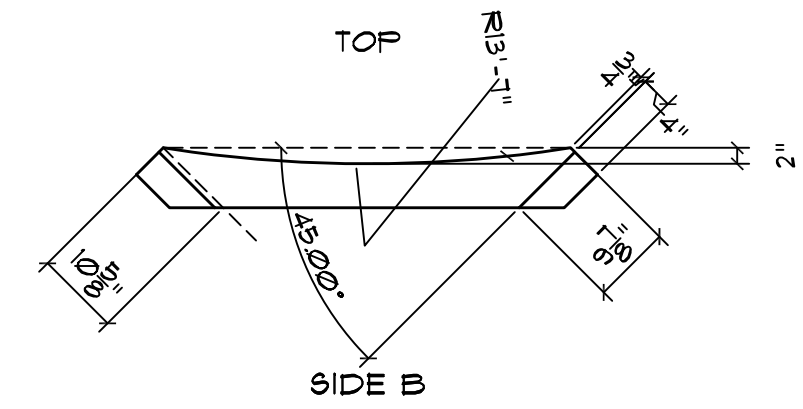
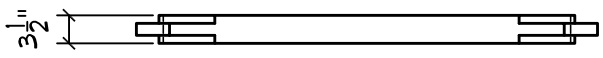
Grid Line 2 Tie Beam
Qty: 1



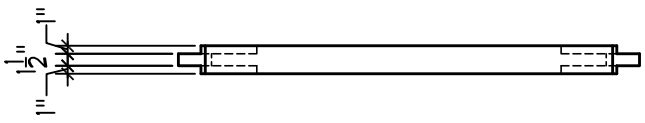
Rafter
Qty: 18



SIDE A

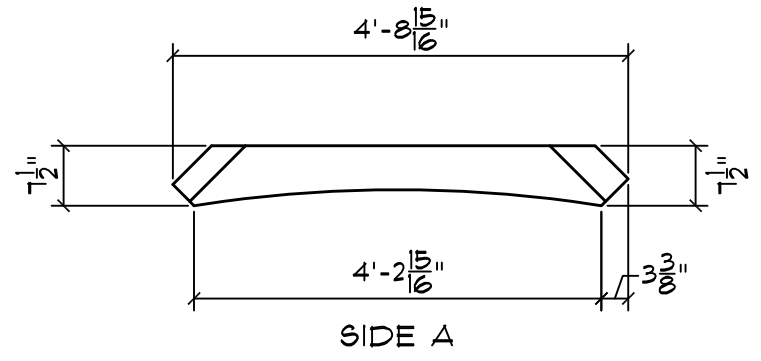


SIDE B

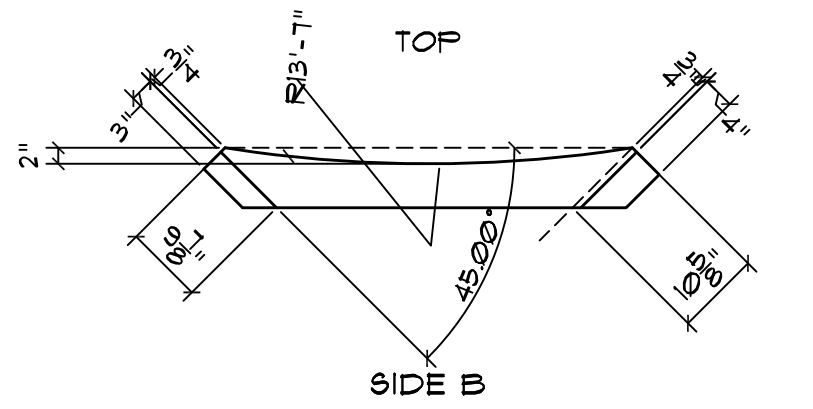
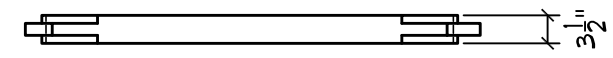


BOTTOM

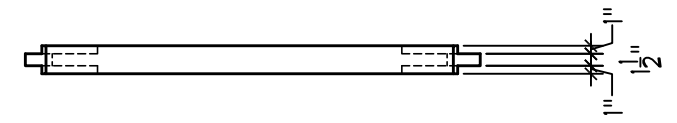
Knee Brace A
Qty: 12



SIDE A

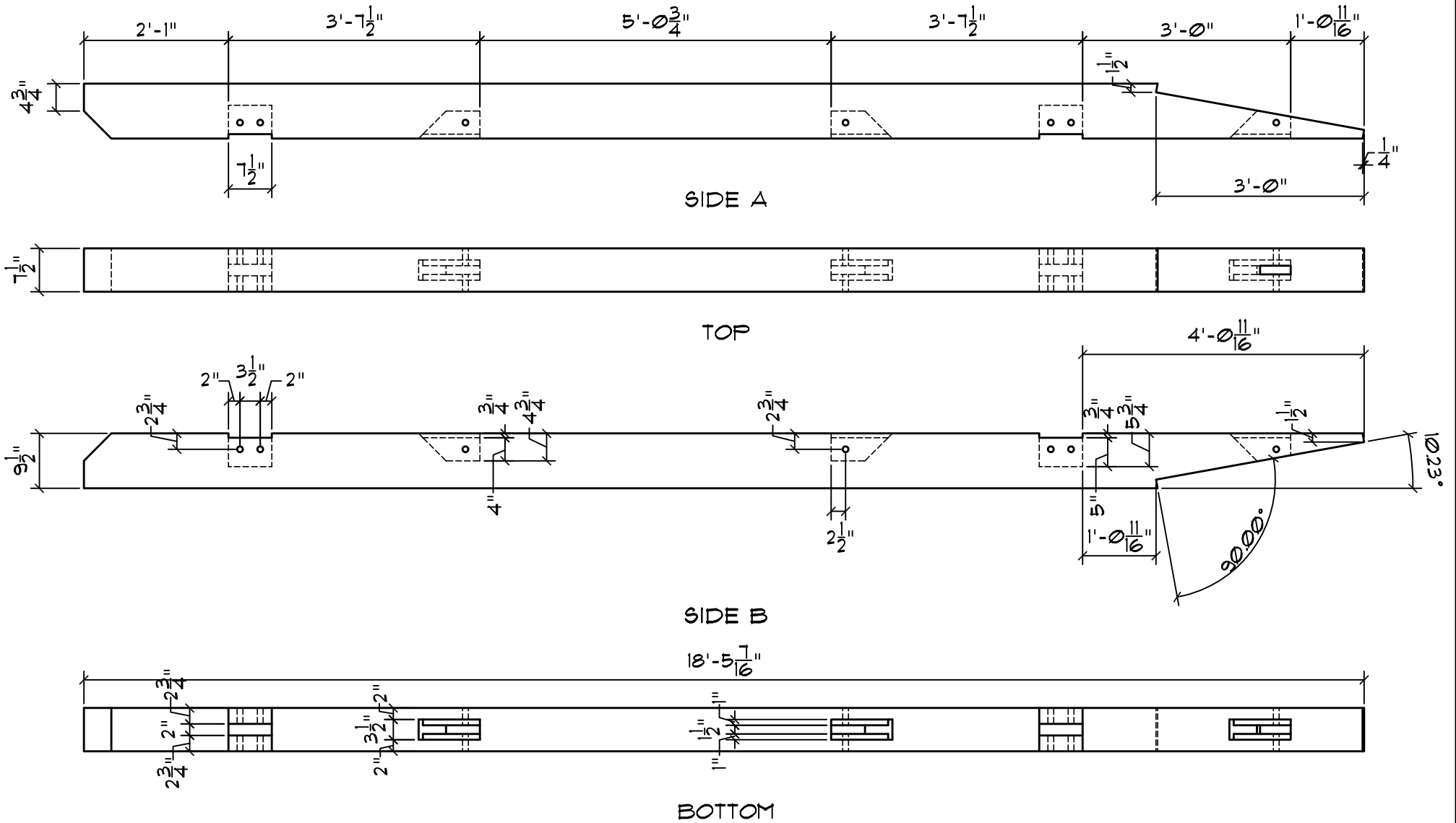


SIDE B

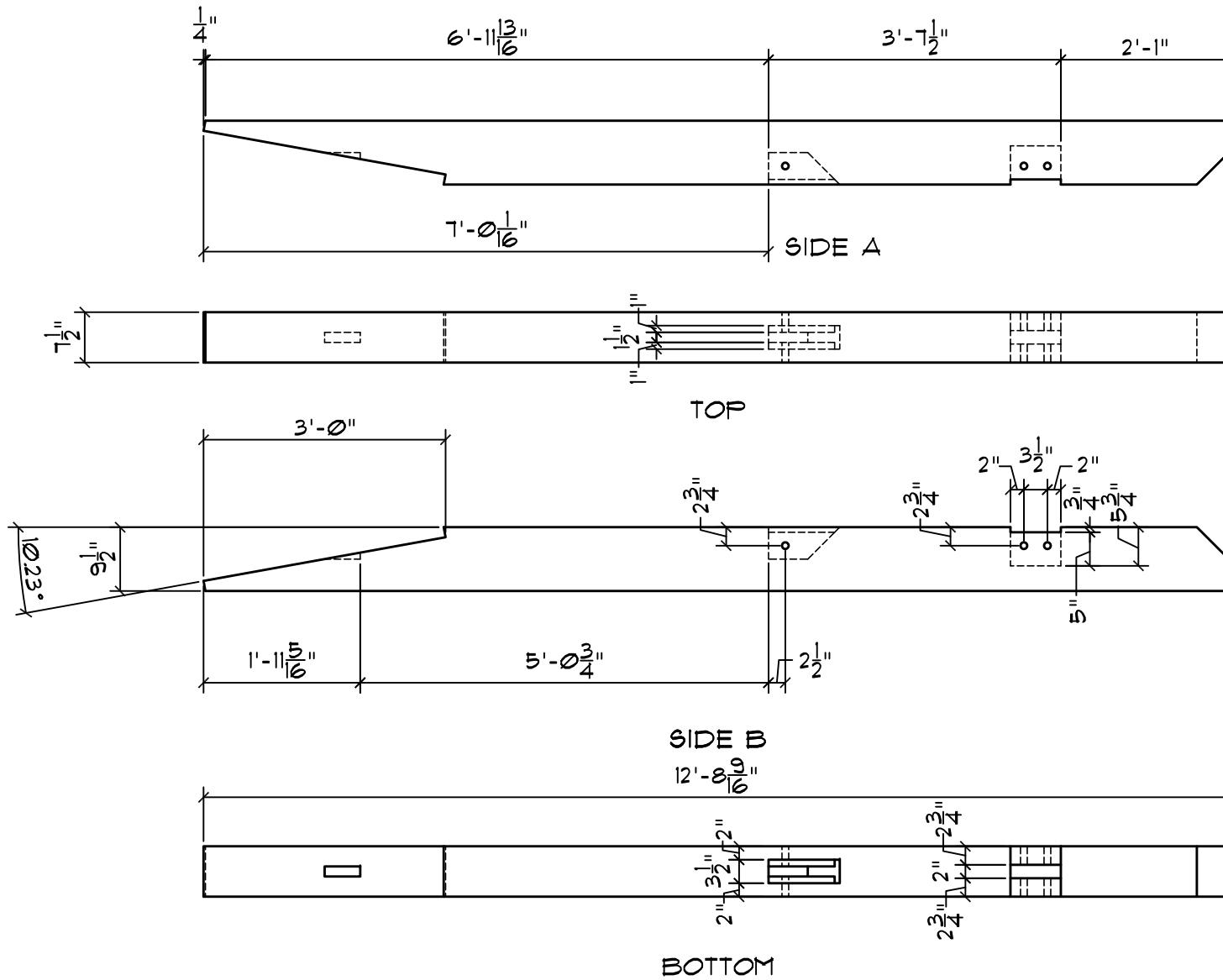


BOTTOM

Knee Brace B
Qty: 6



Plate/Ridge
Qty: 3



Plate/Ridge
 Qty: 3