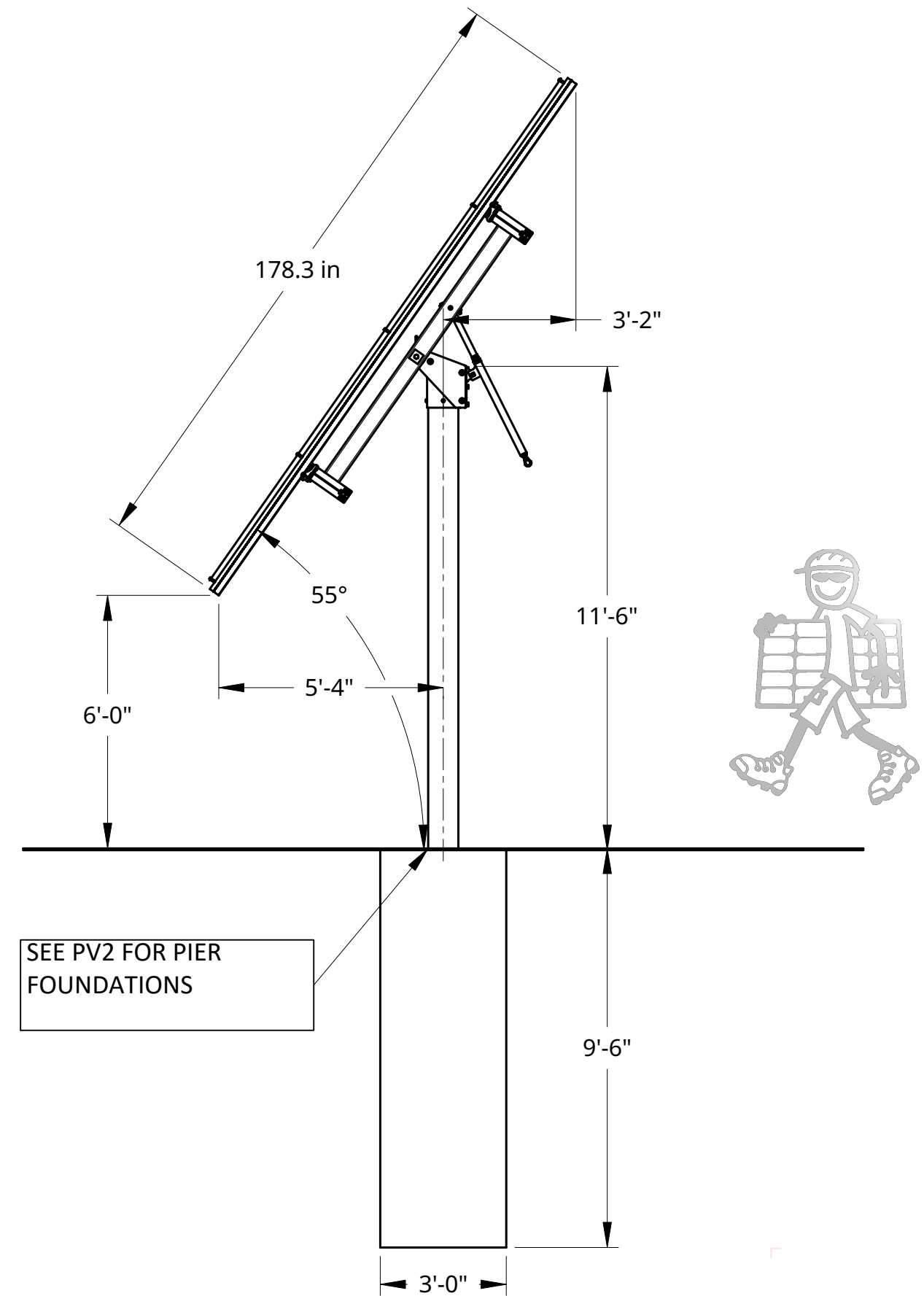


REVIEWED
 FOR
 CODE
 COMPLIANCE
 09/23/2022

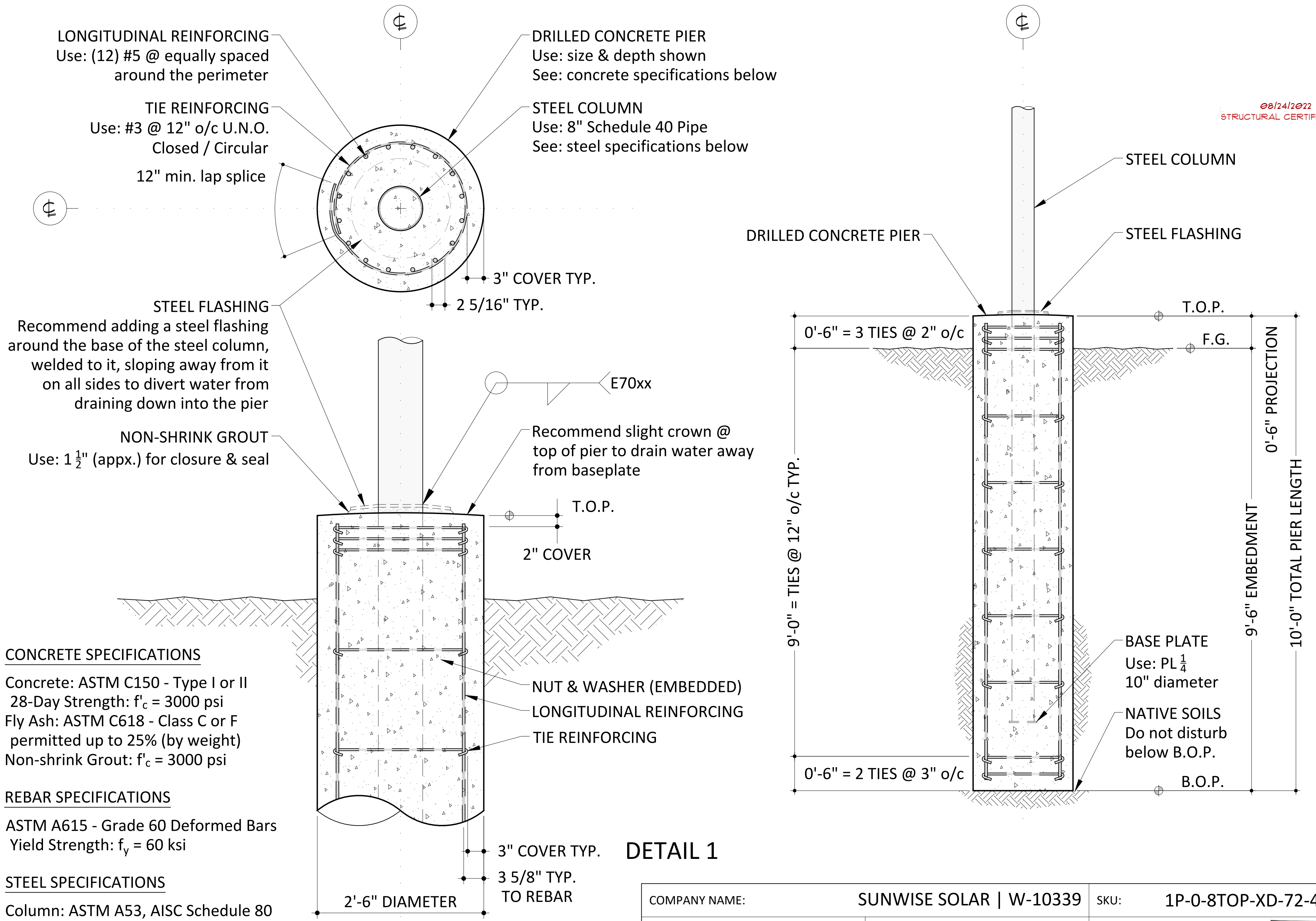


ITEM	QUANTITY	NAME	MASS
1	4	BEAM-XD-WING-72-INCHES	74.8 LB
2	2	BEAM-XD-CENTER-90-INCHES	98.1 LB
3	2	TUBE-XD-3X5-90IN	86.4 LB
4	1	PIPE-XD-2IN	19.1 LB
5	1	PIPE-XD-4IN	72.4 LB
6	2	LOCK-COLLAR-4	1.2 LB
7	1	POLECAP-8	42.5 LB
8	1	BACKPLATE-8	15.4 LB
9	1	LIFT-INSERT-8	8.8 LB
10	1	ADJUSTER-SCREW	11.9 LB
11	2	BEAM-SPLICE-BOLT-KIT-XD	4.3 LB
12	3	TAMARACK-GROUND-LUG	0.1 LB
13	30	TAMARACK-50/50-CLAMP	0.1 LB
14	12	TAMARACK-RAIL-ADAPTER-WITH-BOLT	0.1 LB
15	6	TAMARACK-3.1-RAIL-CUT-178.3-INCHES	13.8 LB
16	12	BEAM-CLAMP-WITH-BOLTS	1.2 LB
17	1	SPIN PREVENTION KIT	0.3 LB
18	1	BOLT-KIT-8-TOP-BEAM	N/A
19	1	PALLET-PACKAGING-MATERIALS	N/A


08/24/2022
 STRUCTURAL CERTIFICATION

COMPANY NAME SUNWISE SOLAR W-10339		SKU 1P-0-8TOP-XD-72-4X3-R	
MODULE QUANTITY: 12 MODULE WIDTH: 41 INCHES MODULE LENGTH: 87 INCHES MAXIMUM TILT: 55° SUMMER TILT: 25° MINIMUM CLEARANCE: 6'		WIND SPEED: 115 MPH SNOW LOAD: 232 PSF (GROUND) EXPOSURE CATEGORY: B SOIL TYPE: 4 (NON-COHESIVE) POLE QUANTITY: 1 POLE RATING: 8" SCHEDULE 40	
SS CORP; 21498 Mountain Top Drive Oak Creek, CO, 80467			
SIZE C		PV1	
SCALE Not to Scale		DATE 08/24/2022	

08/24/2022
STRUCTURAL CERTIFICATION



DETAIL 1

COMPANY NAME: SUNWISE SOLAR W-10339		SKU: 1P-0-8TOP-XD-72-4x3-R
MODULE QUANTITY: 12	SNOW LOAD: 232.0 psf (ground)	SS CORP. 21498 Mountain Top Road Oak Creek, CO 80467  PV2 <small>MADE IN MONTANA, USA</small>
MODULE WIDTH: 41.0 inches	WIND SPEED: 115 mph	
MODULE LENGTH: 87.0 inches	EXPOSURE: B	
MAXIMUM TILT: 55°	SEISMIC: Design Category D	
SUMMER TILT: 25°	SOIL CLASS: 4 - Non-cohesive	
MIN. CLEARANCE: 6 feet	POLE QTY/TYPE: 8" Schedule 40	DATE 08/24/2022 SCALE N.T.S. WEIGHT