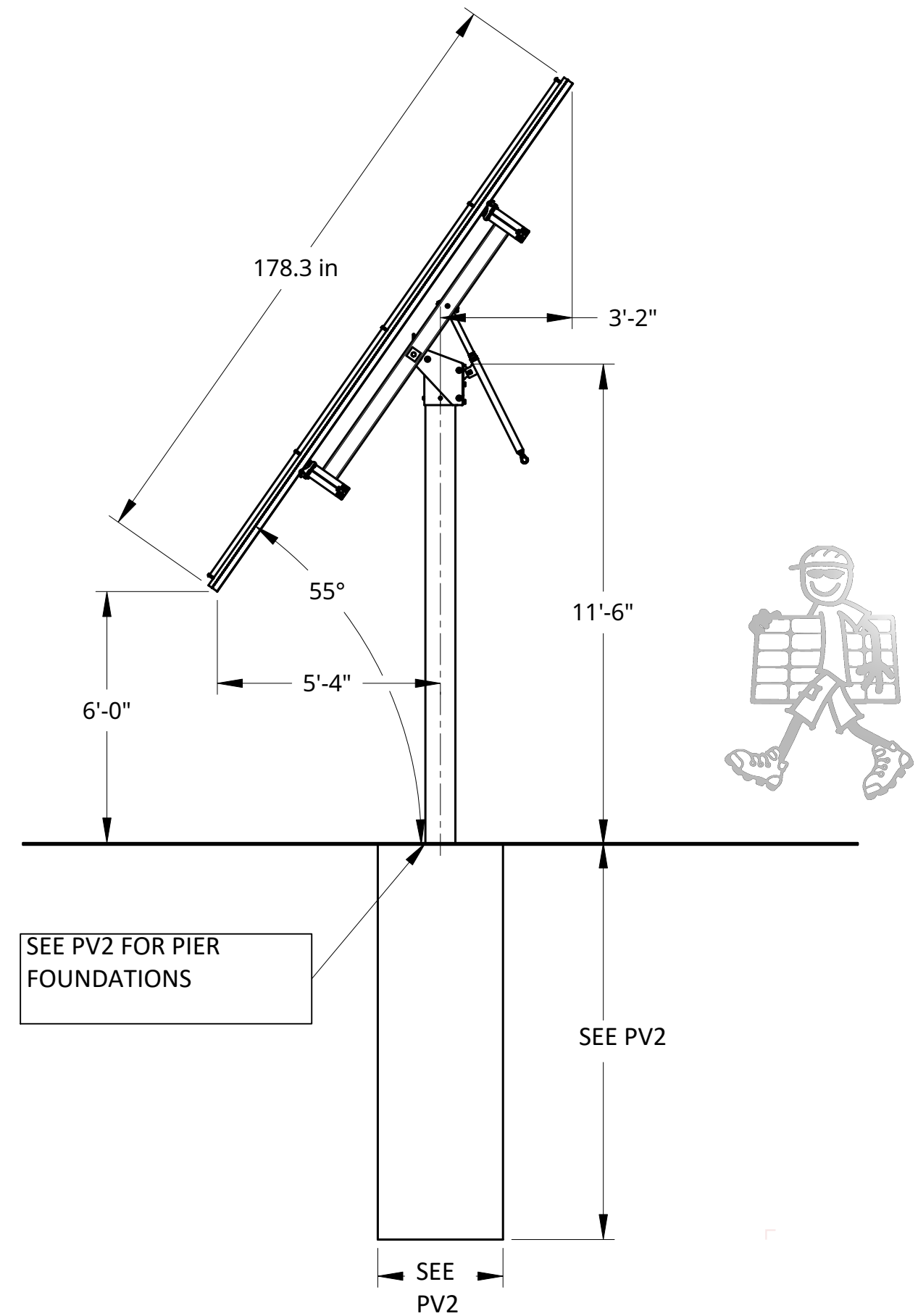
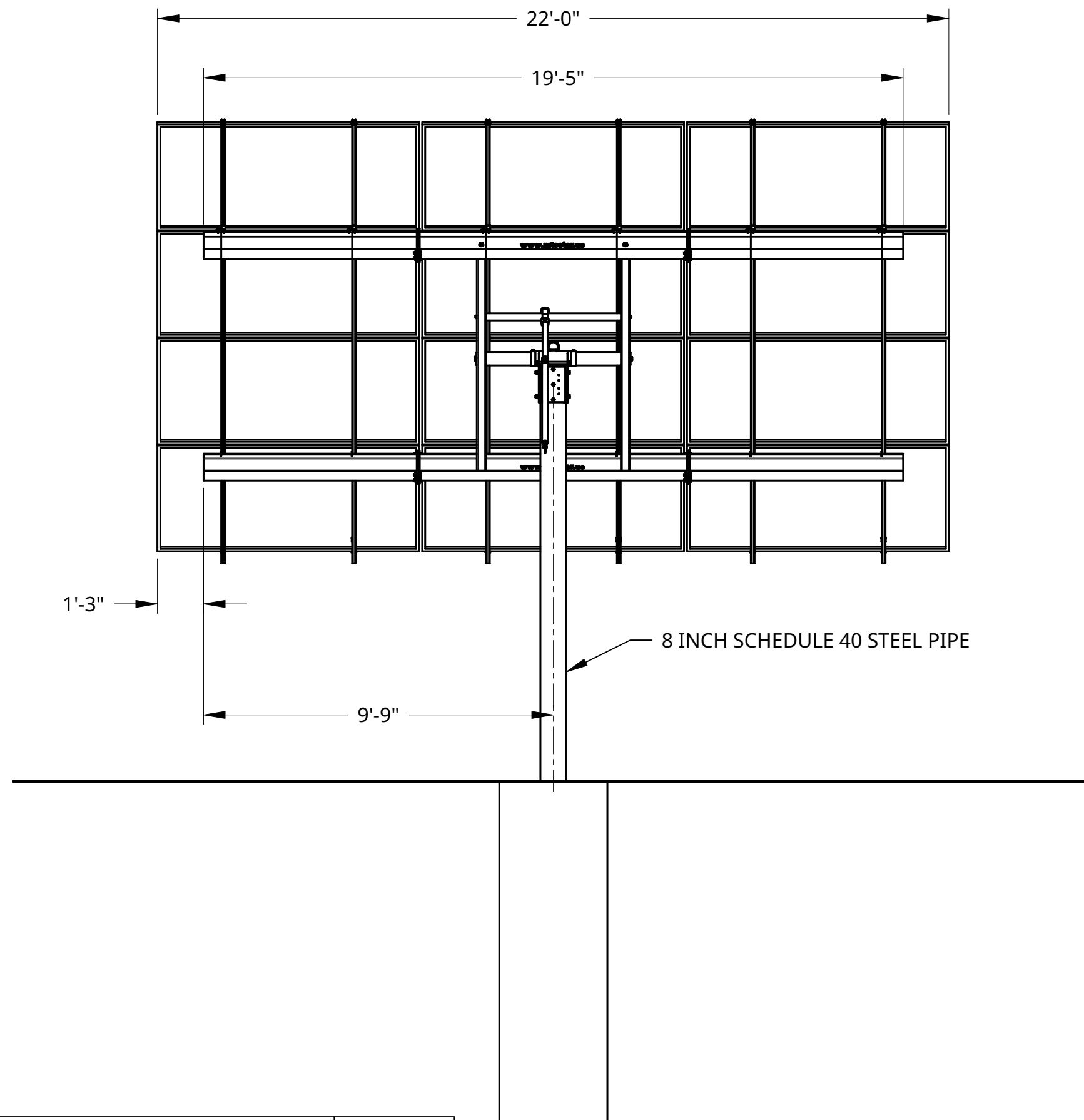


Reviewed for  
Code Compliance

09/29/2022



ITEM	QUANTITY	NAME	MASS
1	4	BEAM-XD-WING-72-INCHES	74.8 LB
2	2	BEAM-XD-CENTER-90-INCHES	98.1 LB
3	2	TUBE-XD-3X5-90IN	86.4 LB
4	1	PIPE-XD-2IN	19.1 LB
5	1	PIPE-XD-4IN	72.4 LB
6	2	LOCK-COLLAR-4	1.2 LB
7	1	POLECAP-8	42.5 LB
8	1	BACKPLATE-8	15.4 LB
9	1	LIFT-INSERT-8	8.8 LB
10	1	ADJUSTER-SCREW	11.9 LB
11	2	BEAM-SPLICE-BOLT-KIT-XD	4.3 LB
12	3	TAMARACK-GROUND-LUG	0.1 LB
13	30	TAMARACK-50/50-CLAMP	0.1 LB
14	12	TAMARACK-RAIL-ADAPTER-WITH-BOLT	0.1 LB
15	6	TAMARACK-3.1-RAIL-CUT-178.3-INCHES	13.8 LB
16	12	BEAM-CLAMP-WITH-BOLTS	1.2 LB
17	1	SPIN PREVENTION KIT	0.3 LB
18	1	BOLT-KIT-8-TOP-BEAM	N/A
19	1	PALLET-PACKAGING-MATERIALS	N/A

09/07/2022  
STRUCTURAL CERTIFICATION

COMPANY NAME **SUNWISE SOLAR | W-10339**

SKU **1P-0-8TOP-XD-72-4X3-R**

MODULE QUANTITY: 12  
MODULE WIDTH: 41 INCHES  
MODULE LENGTH: 87 INCHES  
MAXIMUM TILT: 55°  
SUMMER TILT: 25°  
MINIMUM CLEARANCE: 6'

WIND SPEED: 115 MPH  
SNOW LOAD: 232 PSF (GROUND)  
EXPOSURE CATEGORY: B  
SOIL TYPE: 4 (NON-COHESIVE)  
POLE QUANTITY: 1  
POLE RATING: 8" SCHEDULE 40

SS CORP;  
21498 Mountain Top Drive  
Oak Creek, CO, 80467

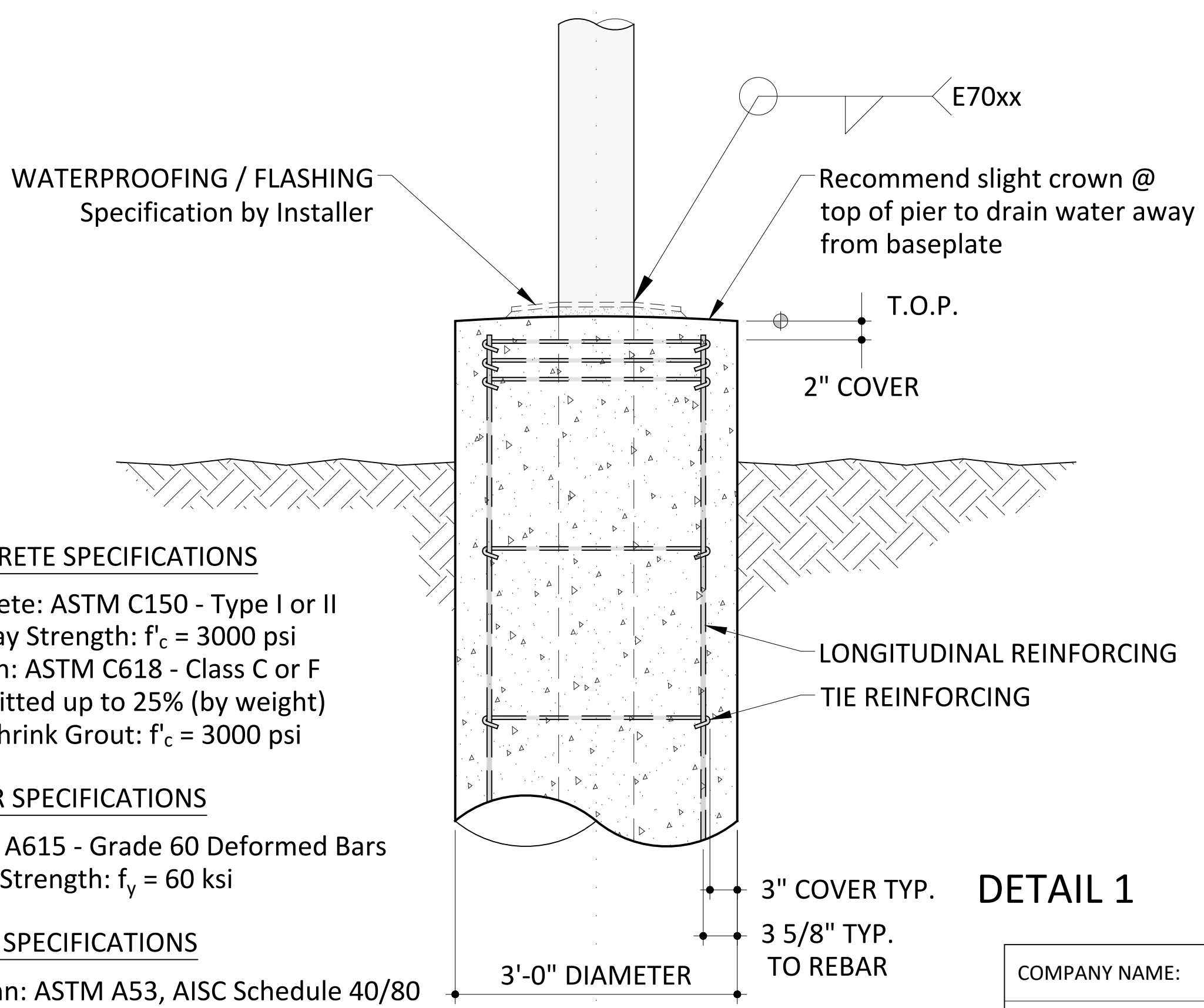
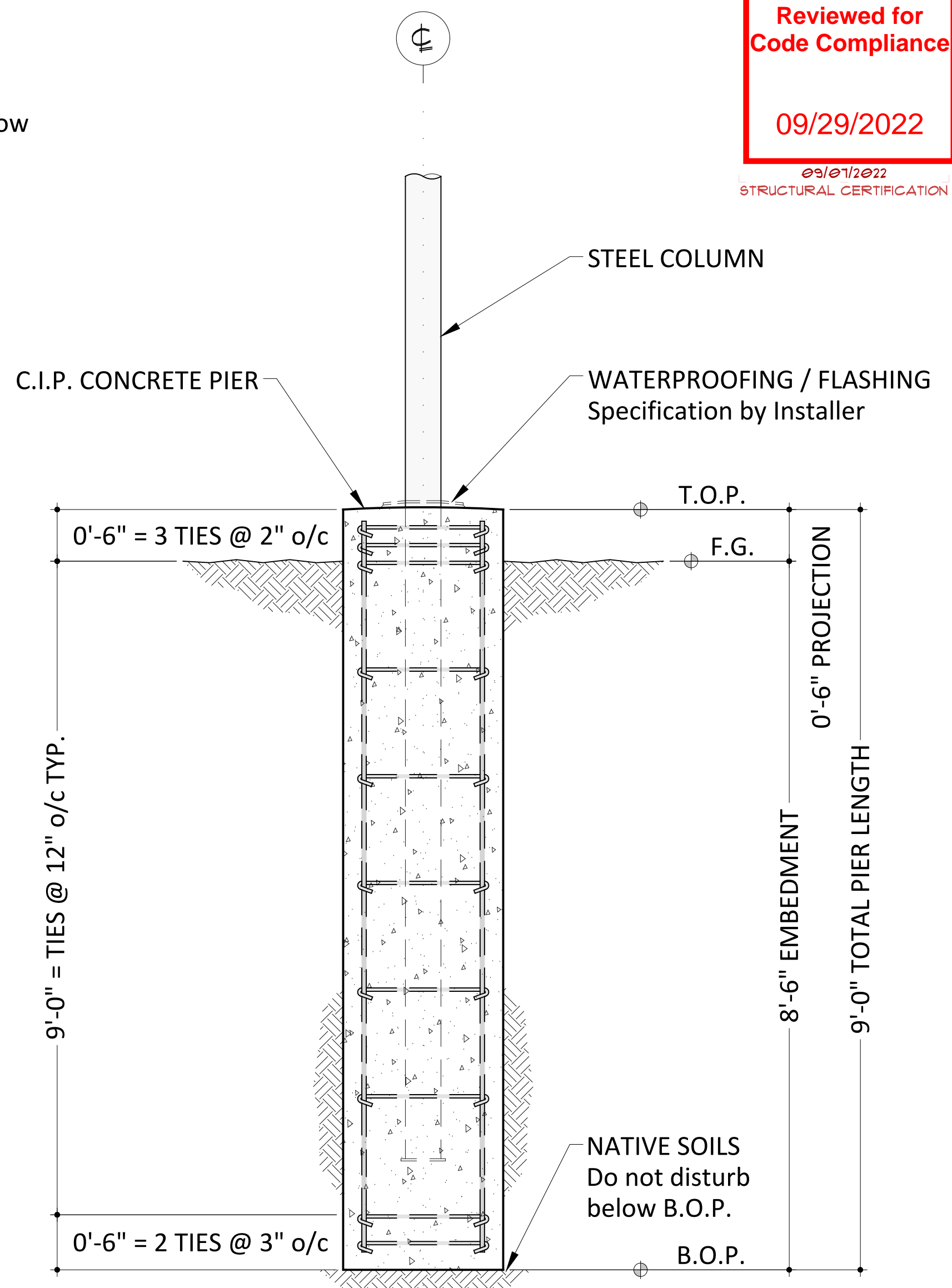
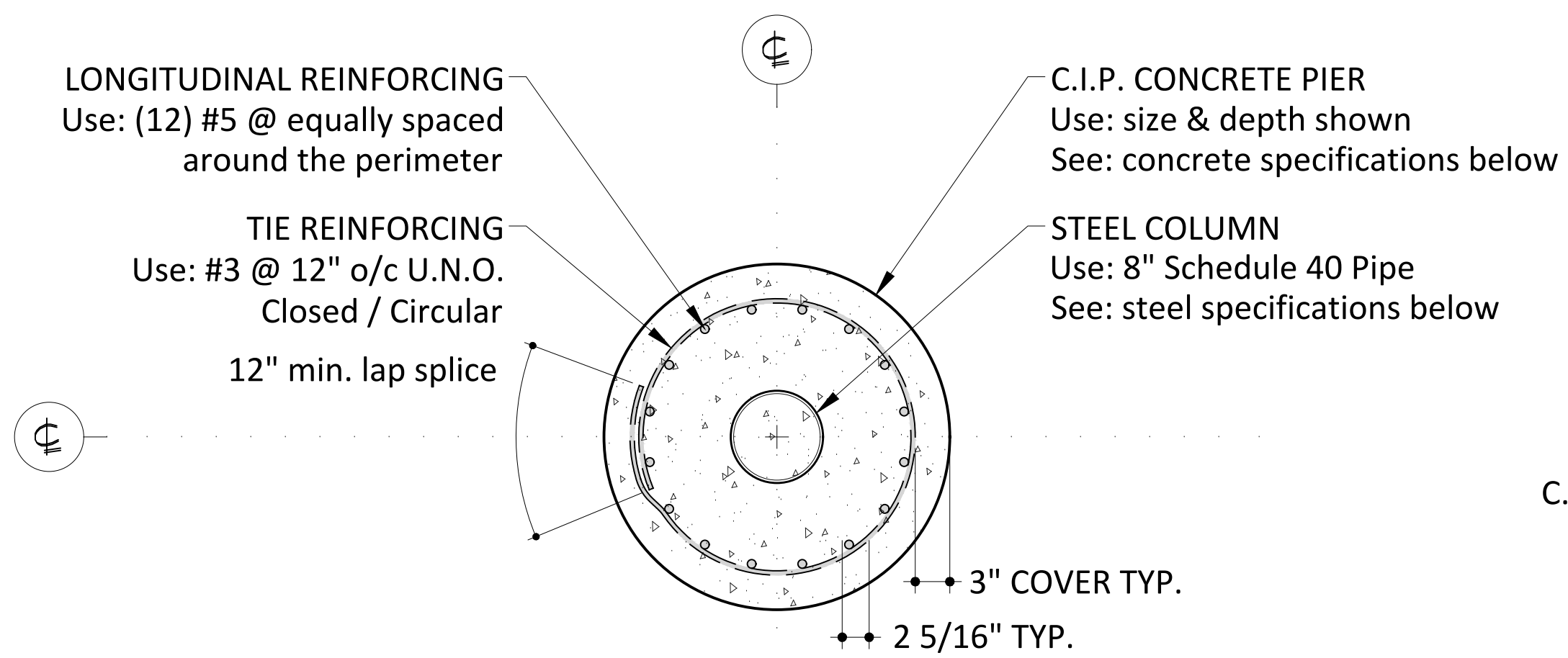


SIZE **C** REV. **A**  
SCALE Not to Scale WEIGHT DATE 09/07/2022

Reviewed for Code Compliance

09/29/2022

09/07/2022  
STRUCTURAL CERTIFICATION



**CONCRETE SPECIFICATIONS**

Concrete: ASTM C150 - Type I or II  
28-Day Strength:  $f'_c = 3000$  psi  
Fly Ash: ASTM C618 - Class C or F permitted up to 25% (by weight)  
Non-shrink Grout:  $f'_c = 3000$  psi


**REBAR SPECIFICATIONS**

ASTM A615 - Grade 60 Deformed Bars  
Yield Strength:  $f_y = 60$  ksi

**STEEL SPECIFICATIONS**

Column: ASTM A53, AISC Schedule 40/80

**DETAIL 1**

COMPANY NAME: SUNWISE SOLAR   W-10339		SKU: 1P-0-8TOP-XD-72-4x3-R
MODULE QUANTITY: 12	SNOW LOAD: 232.0 psf (ground)	<b>SS CORP.</b> 21498 Mountain Top Road Oak Creek, CO 80467  <b>PV2</b> REV. <b>A</b>
MODULE WIDTH: 41.0 inches	WIND SPEED: 115 mph	
MODULE LENGTH: 87.0 inches	EXPOSURE: B	
MAXIMUM TILT: 55°	SEISMIC: Design Category D	
SUMMER TILT: 25°	SOIL CLASS: 4 - Non-cohesive	
MIN. CLEARANCE: 6 feet	POLE QTY/TYPE: 8" Schedule 40	SCALE: N.T.S. WEIGHT: DATE: 09/07/2022