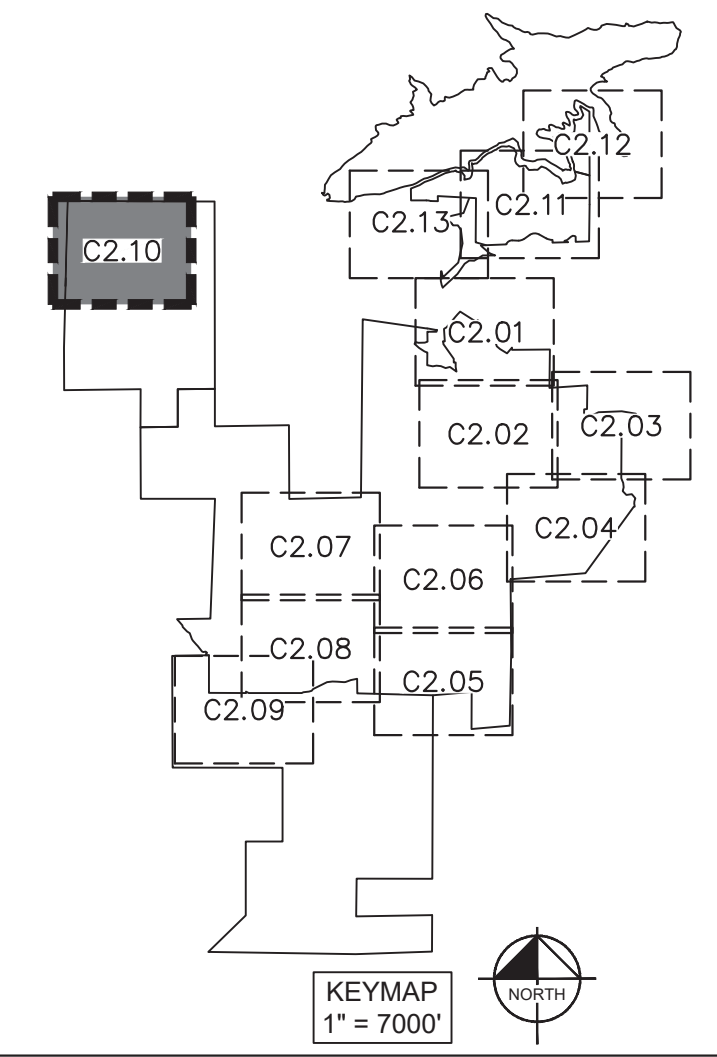
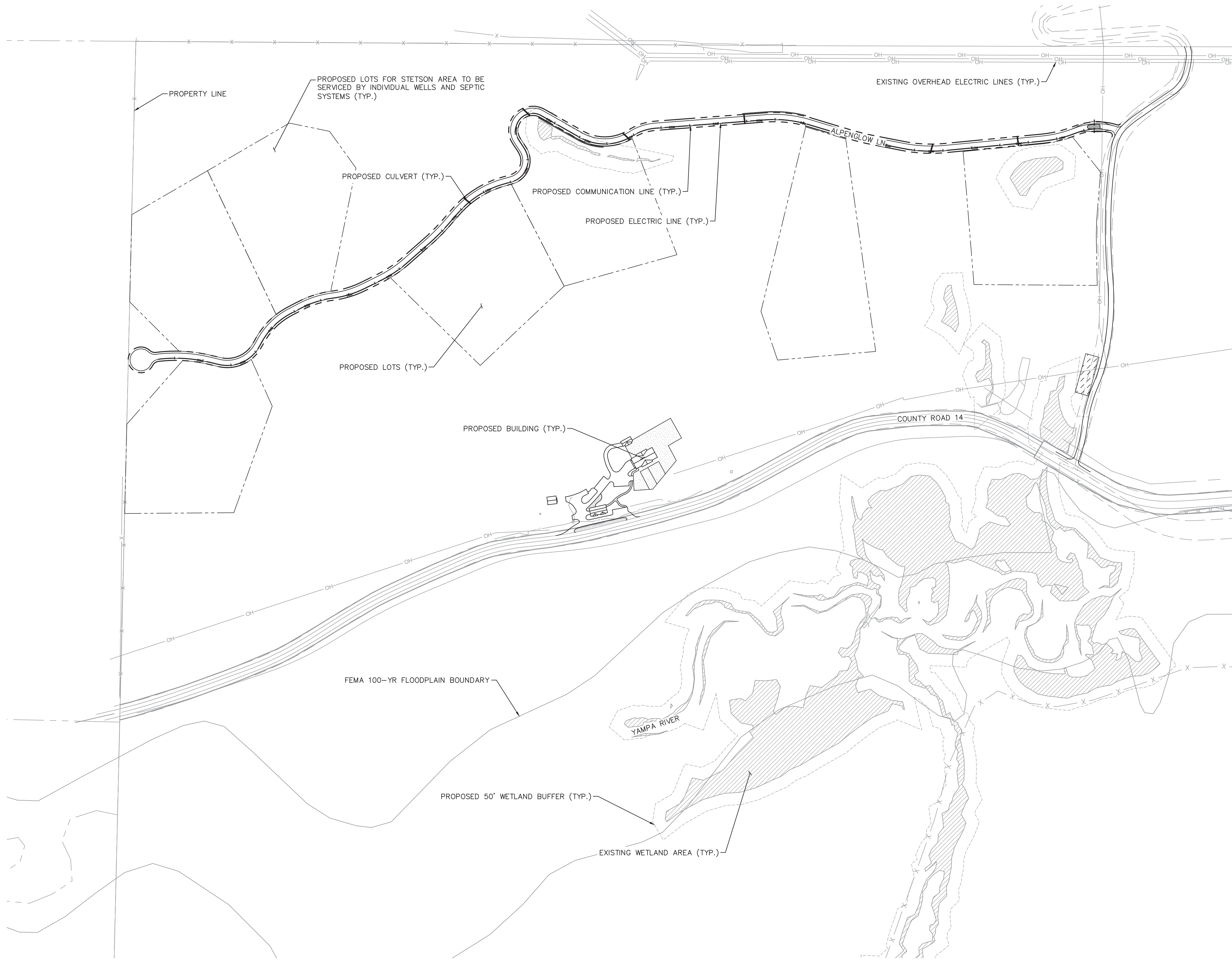
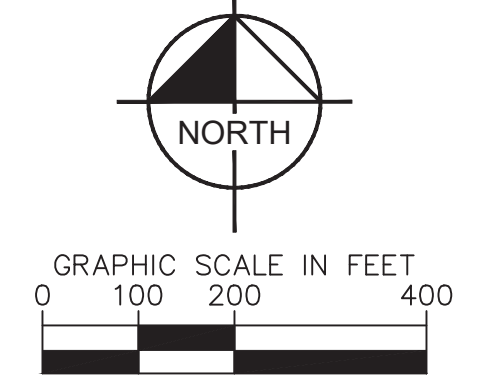


K:_civil\196778000_stagecoach\CADD\plansheets\CDs\Site & Utility Plan\CD_SP3 - SMR.dwg Lundberg, Andrew 12/3/2024 3:37 PM



LEGEND

W	EXISTING WATER LINE
S	EXISTING SANITARY SEWER LINE
UT	EXISTING TELEPHONE LINE
FO	EXISTING FIBER OPTIC LINE
COM	EXISTING COMMUNICATION LINE
E	EXISTING ELECTRIC LINE
OH	EXISTING OVERHEAD POWER LINE
W	PROPOSED WATER DISTRIBUTION LINE
W (T)	PROPOSED WATER TRANSMISSION LINE
NPW	PROPOSED NON-POTABLE WATER LINE
S	PROPOSED SANITARY SEWER LINE
S (FM)	PROPOSED SANITARY SEWER LINE (FORCEMAIN)
S (LP)	PROPOSED SANITARY SEWER LINE (LOW PRESSURE)
E	PROPOSED ELECTRIC LINE
COM	PROPOSED COMMUNICATION LINE
---	PROPOSED RIGHT-OF-WAY LINE
---	PROPERTY LINE
---	PROPOSED LOT LINE
---	PROPOSED ROADWAY
X X	EXISTING FENCE
█	EXISTING SKI RUN
█	PROPOSED SKI RUN
▨	EXISTING WETLAND
▨	PROPOSED DETENTION POND AREA
⌒	PROPOSED BRIDGE
⌒	PROPOSED SKI LIFT
---	EXISTING EDGE OF GRAVEL ROAD
---	EXISTING EDGE OF ASPHALT ROAD
---	PROPOSED 50' WETLAND BUFFER
(FH)	PROPOSED FIRE HYDRANT
---	PROPOSED CULVERT
---	EXISTING CULVERT
X X X X	REMOVE EXISTING WATER LINE
X X X X	REMOVE EXISTING SANITARY SEWER LINE



NO.	REVISION	BY	DATE	APPR.

Kimley»Horn
 2024 KIMLEY-HORN AND ASSOCIATES, INC.
 2 North Nevada Avenue, Suite 900
 Colorado Springs, Colorado 80903 (719) 453-0180

DESIGNED BY: JGJ
 DRAWN BY: CAS
 CHECKED BY: EJJ
 DATE: 11/26/24

STAGECOACH MOUNTAIN RANCH
ROUTT COUNTY, COLORADO
PRELIMINARY CIVIL CONSTRUCTION DOCUMENTS
SITE AND UTILITY PLAN

PRELIMINARY
 FOR REVIEW ONLY
 NOT FOR
 CONSTRUCTION

Kimley»Horn
 Kimley-Horn and Associates, Inc.

PROJECT NO.
196778000

SHEET
C2.10